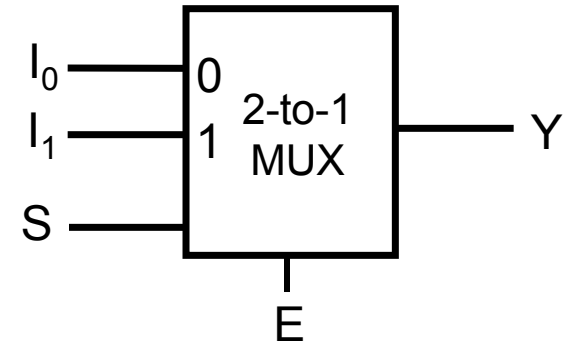


Task 1

Design and validate
2-to-1 Multiplexer with enable.

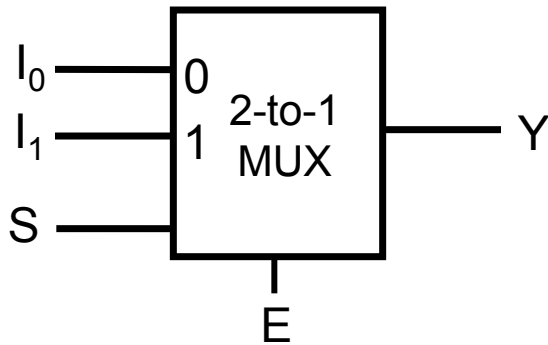


The design procedure:

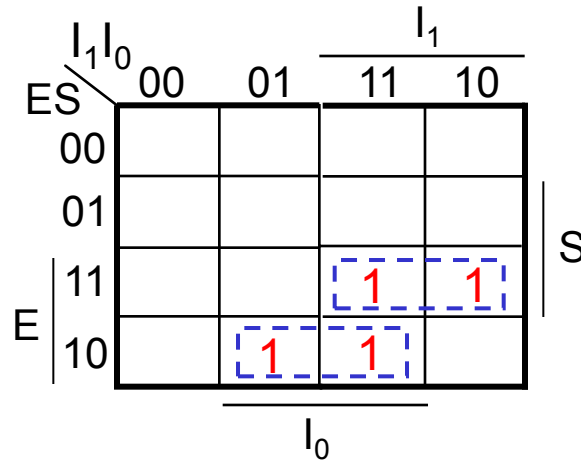
- 1) Determine the required number of inputs and outputs and assign variables to them.
- 2) Derive the truth table that defines the required relationship between inputs and outputs.
- 3) Obtain and simplify the Boolean function (K-maps, algebraic manipulation).
- 4) Draw the logic diagram.
- 5) Verify the correctness of the design.

Solution

Logic Symbol



K-map

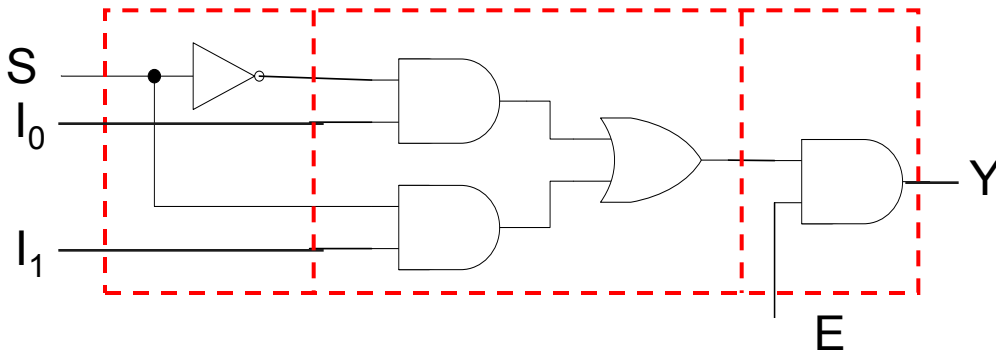


T-table

E	S	I ₁	I ₀		Y
0	0	0	0		0
0	0	0	1		0
0	0	1	0		0
0	0	1	1		0
0	1	0	0		0
0	1	0	1		0
0	1	1	0		0
0	1	1	1		0
1	0	0	0		0
1	0	0	1		1
1	0	1	0		0
1	0	1	1		1
1	1	0	0		0
1	1	0	1		0
1	1	1	0		1
1	1	1	1		1

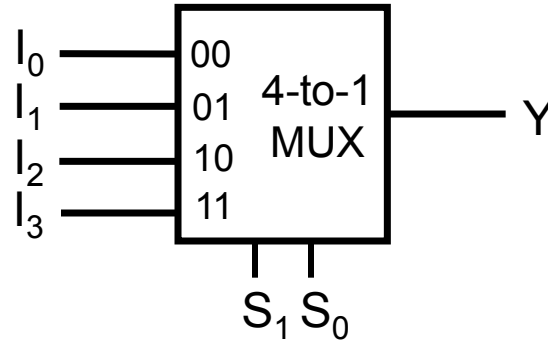
Equation: $Y = ES I_1 + ES' I_0 = E(S I_1 + S' I_0)$

Logic Circuits



Task 2

Design and validate
4-to-1 Multiplexer.



Hint: Use two 2-to-1 Multiplexers

