

# MIPSpro™ Assembly Language Programmer's Guide

Document Number 007-2418-002

## CONTRIBUTORS

Written by Larry Huffman, David Graves  
Edited by Larry Huffman, Cindy Kleinfeld  
Production by Chris Glazek and David Clarke  
Engineering contributions by Bean Anderson, Jim Dehnert, Suneel Jain, Michael  
Murphy

© Copyright 1996 Silicon Graphics, Inc.— All Rights Reserved

The contents of this document may not be copied or duplicated in any form, in whole or in part, without the prior written permission of Silicon Graphics, Inc.

## RESTRICTED RIGHTS LEGEND

Use, duplication, or disclosure of the technical data contained in this document by the Government is subject to restrictions as set forth in subdivision (c) (1) (ii) of the Rights in Technical Data and Computer Software clause at DFARS 52.227-7013 and/or in similar or successor clauses in the FAR, or in the DOD or NASA FAR Supplement. Unpublished rights reserved under the Copyright Laws of the United States. Contractor/manufacturer is Silicon Graphics, Inc., 2011 N. Shoreline Blvd., Mountain View, CA 94039-7311.

Silicon Graphics and IRIS are registered trademarks and IRIX, CASEVision, IRIS IM, IRIS Showcase, Impresario, Indigo Magic, Inventor, IRIS-4D, POWER Series, RealityEngine, CHALLENGE, Onyx, and WorkShop are trademarks of Silicon Graphics, Inc. UNIX is a registered trademark of UNIX System Laboratories. OSF/Motif is a trademark of Open Software Foundation, Inc. The X Window System is a trademark of the Massachusetts Institute of Technology. PostScript is a registered trademark and Display PostScript is a trademark of Adobe Systems, Inc.

MIPSpro™ Assembly Language Programmer's Guide  
Document Number 007-2418-002

---

# Contents

**List of Figures** vii

**List of Tables** ix

**About This Guide** xi

Audience xi

Topics Covered xii

- 1. Registers** 1
  - Register Format 1
    - General Registers 1
  - Special Registers 4
    - Floating Point Registers 5
- 2. Addressing** 7
  - Address Formats 8
  - Address Descriptions 9
- 3. Exceptions** 11
  - Main Processor Exceptions 11
  - Floating Point Exceptions 12
- 4. Lexical Conventions** 13
  - Tokens 14
  - Comments 14
  - Identifiers 14
  - Constants 15
    - Scalar Constants 15
    - Floating Point Constants 16
    - String Constants 17

- Multiple Lines Per Physical Line 18
- Section and Location Counters 18
- Statements 19
  - Label Definitions 20
  - Null Statements 20
  - Keyword Statements 20
- Expressions 21
  - Precedence 21
  - Expression Operators 22
  - Data Types 23
  - Type Propagation in Expressions 25
- 5. The Instruction Set 27**
  - Instruction Classes 27
  - Reorganization Constraints and Rules 27
  - Instruction Notation 28
  - Instruction Set 29
    - Load and Store Instructions 29
    - Load Instruction Descriptions 31
    - Store Instruction Descriptions 35
  - Computational Instructions 38
    - Computational Instructions 39
    - Computational Instruction Descriptions 42
  - Jump and Branch Instructions 54
    - Jump and Branch Instructions 54
    - Jump and Branch Instruction Descriptions 56
  - Special Instructions 59
    - Special Instruction Descriptions 60
  - Coprocessor Interface Instructions 60
    - Coprocessor Interface Summary 61
    - Coprocessor Interface Instruction Descriptions 62

- 
- 6. Coprocessor Instruction Set 65**
    - Instruction Notation 65
    - Floating-Point Instructions 66
      - Floating-Point Formats 67
      - Floating-Point Load and Store Formats 68
      - Floating-Point Load and Store Descriptions 69
      - Floating-Point Computational Formats 70
      - Floating-Point Computational Instruction Descriptions 73
      - Floating-Point Relational Operations 74
      - Floating-Point Relational Instruction Formats 77
      - Floating-Point Relational Instruction Descriptions 79
      - Floating-Point Move Formats 81
      - Floating-Point Move Instruction Descriptions 82
    - System Control Coprocessor Instructions 82
      - System Control Coprocessor Instruction Formats 82
      - System Control Coprocessor Instruction Descriptions 83
      - Control and Status Register 84
        - Exception Trap Processing 86
        - Invalid Operation Exception 87
        - Division-by-zero Exception 87
        - Overflow Exception 88
        - Underflow Exception 89
        - Inexact Exception 89
        - Unimplemented Operation Exception 90
      - Floating-Point Rounding 90
  - 7. Linkage Conventions 93**
    - Introduction 93
    - Program Design 94
      - Register Use and Linkage 94
      - The Stack Frame 94
      - The Shape of Data 101
    - Examples 101
    - Learning by Doing 105

**8. Pseudo Op-Codes** 107  
**Index** 123

---

## List of Figures

<b>Figure 4-1</b>	Section and Location Counters	18
<b>Figure 6-1</b>	Floating Point Formats	67
<b>Figure 6-2</b>	Floating Control and Status Register	31 85
<b>Figure 7-1</b>	Stack Organization	96
<b>Figure 7-2</b>	Stack Example	98



---

## List of Tables

<b>Table 1-1</b>	General (Integer) Registers (32-Bit)	2
<b>Table 1-2</b>	General (Integer) Registers (64-Bit)	3
<b>Table 1-3</b>	Special Registers	4
<b>Table 1-4</b>	Floating-Point Registers (32-bit)	5
<b>Table 1-5</b>	Floating-Point Registers (64-bit)	6
<b>Table 2-1</b>	Address Formats	8
<b>Table 2-2</b>	Assembler Addresses	9
<b>Table 4-1</b>	Backslash Conventions	17
<b>Table 4-2</b>	Expression Operators	22
<b>Table 4-3</b>	Data Types	23
<b>Table 5-1</b>	Load and Store Format Summary	29
<b>Table 5-2</b>	Load Instruction Descriptions	31
<b>Table 5-3</b>	Load Instruction Descriptions for MIPS3/4 Architecture Only	34
<b>Table 5-4</b>	Store Instruction Descriptions	36
<b>Table 5-5</b>	Store Instruction Descriptions for MIPS3/4 Architecture Only	38
<b>Table 5-6</b>	Computational Format Summaries	39
<b>Table 5-7</b>	Computational Instruction Descriptions	42
<b>Table 5-8</b>	Computational Instruction Descriptions for MIPS3/4 Architecture	50
<b>Table 5-9</b>	Jump and Branch Format Summary	54
<b>Table 5-10</b>	Jump and Branch Instruction Descriptions	56
<b>Table 5-11</b>	Special Instruction Descriptions	60
<b>Table 5-12</b>	Coprocessor Interface Formats	61
<b>Table 5-13</b>	Coprocessor Interface Instruction Descriptions	62
<b>Table 6-1</b>	Floating-Point Load and Store Descriptions	69
<b>Table 6-2</b>	Floating-Point Computational Instruction Descriptions	73
<b>Table 6-3</b>	Floating-Point Relational Operators	75
<b>Table 6-4</b>	Floating-Point Relational Instruction Descriptions	79

<b>Table 6-5</b>	Floating-Point Move Instruction Descriptions	82
<b>Table 6-6</b>	System Control Coprocessor Instruction Descriptions	83
<b>Table 7-1</b>	Parameter Passing (32-Bit)	99
<b>Table 7-2</b>	Parameter Passing (64-Bit)	99
<b>Table 8-1</b>	Pseudo Op-Codes	107

---

## About This Guide

This book describes the assembly language supported by the RISCompiler system, its syntax rules, and how to write assembly programs. For information on assembling and linking an assembly language program, see the *MIPSpro Compiling, Debugging and Performance Tuning Guide*.

The assembler converts assembly language statements into machine code. In most assembly languages, each instruction corresponds to a single machine instruction; however, some assembly language instructions can generate several machine instructions. This feature results in assembly programs that can run without modification on future machines, which might have different machine instructions.

In this release of O/S and compiler software, the assembler supports compilations in both 32-bit and 64-bit mode. Some of the implications of these different data sizes are explained in this book. For more information, please refer to the *MIPSpro 64-Bit Porting and Transition Guide*.

Many assembly language instructions have direct equivalents to machine instructions. For more information about the operations of a specific architecture, see book that is appropriate for your machine, for instance, the *MIPS R4000 Microprocessor User's Manual* or the *MIPS R8000 Microprocessor User's Manual*.

### Audience

This book assumes that you are an experienced assembly language programmer. The assembler produces object modules from the assembly instructions that the C, and Fortran 77 compilers generate. It therefore lacks many functions normally present in assemblers. You should use the assembler only when you need to:

- Maximize the efficiency of a routine, which might not be possible in C, Fortran 77,, or another high-level language; for example, to write low-level I/O drivers.
- Access machine functions unavailable in high-level languages or satisfy special constraints such as restricted register usage.

- Change the operating system.
- Change the compiler system.

Further system information can be obtained from the manuals listed at the end of this section.

## Topics Covered

This book has these chapters:

- **Chapter 1: Registers** describes the format for the general registers, the special registers, and the floating point registers.
- **Chapter 2: Addressing** describes how addressing works.
- **Chapter 3: Exceptions** describes exceptions you might encounter with assembly programs.
- **Chapter 4: Lexical Conventions** describes the lexical conventions that the assembler follows.
- **Chapter 5: Instruction Set** describes the main processor's instruction set, including notation, load and store instructions, computational instructions, and jump and branch instructions.
- **Chapter 6: Coprocessor Instruction Set** describes the coprocessor instruction sets.
- **Chapter 7: Linkage Conventions** describes linkage conventions for all supported high-level languages. It also discusses memory allocation and register use.
- **Chapter 8: Pseudo-Op-Codes** describes the assembler's pseudo-operations (directives).
- **Index.** Contains index entries for this publication.

---

# Registers

This chapter describes the organization of data in memory, and the naming and usage conventions that the assembler applies to the CPU and FPU registers. See Chapter 7 for information regarding register use and linkage.

## Register Format

The CPU uses four data formats: a 64-bit doubleword, a 32-bit word, a 16-bit halfword and an 8-bit byte. Byte ordering within each of the larger data formats – doubleword, word or halfword – the CPU's byte ordering scheme (or endian issues), affects memory organization and defines the relationship between address and byte position of data in memory.

For R4000 and earlier systems, byte ordering is configurable into either big-endian or little-endian byte ordering (configuration occurs during hardware reset). When configured as a big-endian system, byte 0 is always the most-significant (leftmost) byte. When configured as a little-endian system, byte 0 is always the least-significant (rightmost byte).

The R8000 CPU, at present, supports big-endian only.

## General Registers

For the MIPS1 and MIPS2 architectures, the CPU has thirty-two 32-bit registers. In the MIPS3 architecture and above, the size of each of the thirty-two integer registers is 64-bit.

Table 1-1 and Table 1-2 summarize the assembler's usage, conventions and restrictions for these registers. The assembler reserves all register names; you must use lowercase for the names. All register names start with a dollar sign (\$).

The general registers have the names `$0..$31`. By including the file `regdef.h` (use `#include <regdef.h>`) in your program, you can use software names for some general registers.

The operating system and the assembler use the general registers \$1, \$26, \$27, \$28, and \$29 for specific purposes. Attempts to use these general registers in other ways can produce unexpected results.

**Table 1-1** General (Integer) Registers (32-Bit)

Register Name	Software Name (from regdef.h)	Use and Linkage
\$0		Always has the value 0.
\$1 or \$at		Reserved for the assembler.
\$2..\$3	v0-v1	Used for expression evaluations and to hold the integer type function results. Also used to pass the static link when calling nested procedures.
\$4..\$7	a0-a3	Pass the first 4 words of actual integer type arguments; their values are not preserved across procedure calls.
\$8..\$11 \$11..\$15	t0-t7 t4-t7 or ta0-ta3	Temporary registers used for expression evaluations; their values aren't preserved across procedure calls.
\$16..\$23	s0-s7	Saved registers. Their values must be preserved across procedure calls.
\$24..\$25	t8-t9	Temporary registers used for expression evaluations; their values aren't preserved across procedure calls.
\$26..\$27 or \$kt0..\$kt1	k0-k1	Reserved for the operating system kernel.
\$28 or \$gp	gp	Contains the global pointer.
\$29 or \$sp	sp	Contains the stack pointer.
\$30 or \$fp	fp or s8	Contains the frame pointer (if needed); otherwise a saved register (like <b>s0-s7</b> ).
\$31	ra	Contains the return address and is used for expression evaluation.

**Note:** General register  $\$0$  always contains the value 0. All other general registers are equivalent, except that general register  $\$31$  also serves as the implicit link register for jump and link instructions. See Chapter 7 for a description of register assignments.

**Table 1-2** General (Integer) Registers (64-Bit)

Register Name	Software Name (from <code>regdef.h</code> )	Use and Linkage
$\$0$		Always has the value 0.
$\$1$ or $\$at$		Reserved for the assembler.
$\$2..\$3$	v0-v1	Used for expression evaluations and to hold the integer type function results. Also used to pass the static link when calling nested procedures.
$\$4..\$7$ $\$8..\$11$	a0-a3 a4-a7 or ta0-ta3	Pass up to 8 words of actual integer type arguments; their values are not preserved across procedure calls.
$\$12..\$15$	t0-t3	Temporary registers used for expression evaluations; their values aren't preserved across procedure calls.
$\$16..\$23$	s0-s7	Saved registers. Their values must be preserved across procedure calls.
$\$24..\$25$	t8-t9	Temporary registers used for expression evaluations; their values aren't preserved across procedure calls.
$\$26..27$ or $\$kt0..\$kt1$	k0-k1	Reserved for the operating system kernel.
$\$28$ or $\$gp$	gp	Contains the global pointer.
$\$29$ or $\$sp$	sp	Contains the stack pointer.
$\$30$ or $\$fp$	fp or s8	Contains the frame pointer (if needed); otherwise a saved register (such as s0-s7).
$\$31$	ra	Contains the return address and is used for expression evaluation.

## Special Registers

The CPU defines three special registers: PC (program counter), HI and LO, as shown in Table 1-3. The HI and LO special registers hold the results of the multiplication (*mult* and *multu*) and division (*div* and *divu*) instructions.

You usually do not need to refer explicitly to these special registers; instructions that use the special registers refer to them automatically.

**Table 1-3** Special Registers

Name	Description
PC	Program Counter
HI	Multiply/Divide special register holds the most-significant 32 bits of multiply, remainder of divide
LO	Multiply/Divide special register holds the least-significant 32 bits of multiply, quotient of divide

**Note:** In MIPS3 architecture and later, the HI and Lo registers hold 64-bits.

## Floating Point Registers

The FPU has sixteen floating-point registers. Each register can hold either a single-precision (32-bit) or double-precision (64-bit) value. In case of a double-precision value, *\$f0* holds the least-significant half, and *\$f1* holds the most-significant half. For 32-bit systems, all references to these registers use an even register number (for example, *\$f4*). 64-bit systems can reference all 32 registers directly. Table 1-4 and Table 1-5 summarize the assembler's usage conventions and restrictions for these registers

**Table 1-4** Floating-Point Registers (32-bit)

Register Name	Software Name (from fgregdef.h)	Use and Linkage
<i>\$f0..\$f2</i>	fv0-fv1	Hold results of floating-point type function ( <i>\$f0</i> ) and complex type function ( <i>\$f0</i> has the real part, <i>\$f2</i> has the imaginary part).
<i>\$f4..\$f10</i>	ft0-ft3	Temporary registers, used for expression evaluation whose values are not preserved across procedure calls.
<i>\$f12..\$f14</i>	fa0-fa1	Pass the first two single or double precision actual arguments; their values are not preserved across procedure calls.
<i>\$f16..\$f18</i>	ft4-ft5	Temporary registers, used for expression evaluation, whose values are not preserved across procedure calls.
<i>\$f20..\$f30</i>	fs0-fs5	Saved registers, whose values must be preserved across procedure calls.

**Table 1-5** Floating-Point Registers (64-bit)

Register Name	Software Name (from fgregdef.h)	Use and Linkage
\$f0, \$f2	fv0, fv1	Hold results of floating-point type function (\$f0) and complex type function (\$f0 has the real part, \$f2 has the imaginary part).
\$f1, \$f3 \$f4..\$f11	ft1, ft3 ft0-ft7	Temporary registers, used for expression evaluation; their values are not preserved across procedure calls.
\$f12..\$f19	fa0-fa7	Pass single or double precision actual arguments, whose values are not preserved across procedure calls.
\$f20..\$f23	ft8-ft11	Temporary registers, used for expression evaluation; their values are not preserved across procedure calls.
\$f24..\$f31	fs0-fs7	Saved registers, whose values must be preserved across procedure calls.

---

## Addressing

This chapter describes the formats that you can use to specify addresses. SGI CPUs use a byte addressing scheme. Access to halfwords requires alignment on even byte boundaries, and access to words requires alignment on byte boundaries that are divisible by four. Access to doublewords (for 64-bit systems) requires alignment on byte boundaries that are divisible by eight. Any attempt to address a data item that does not have the proper alignment causes an alignment exception.

The unaligned assembler load and store instructions may generate multiple machine language instructions. They do not raise alignment exceptions.

These instructions load and store unaligned data:

- Load doubleword left (LDL)
- Load word left (LWL)
- Load doubleword right (LDR)
- Load word right (LWR)
- Store doubleword left (SDL)
- Store word left (SWL)
- Store doubleword right (SDR)
- Store word right (SWR)
- Unaligned load doubleword (ULD)
- Unaligned load word (ULW)
- Unaligned load halfword (ULH)
- Unaligned load halfword unsigned (ULHU)
- Unaligned store doubleword (USD)
- Unaligned store word (USW)
- Unaligned store halfword (USH)

These instructions load and store aligned data

- Load doubleword (LD)
- Load word (LW)
- Load halfword (LH)
- Load halfword unsigned (LHU)
- Load byte (LB)
- Load byte unsigned (LBU)
- Store doubleword (SD)
- Store word (SW)
- Store halfword (SH)
- Store byte (SB)

## Address Formats

The assembler accepts these formats shown in Table 2-1 for addresses. Table 2-2 explains these formats in more detail.

**Table 2-1** Address Formats

Format	Address
<i>(base register)</i>	Base address (zero offset assumed)
expression	Absolute address
<i>expression (base register)</i>	Based address
<i>index-register (base register)</i>	Based address
relocatable-symbol	Relocatable address
<i>relocatable-symbol ± expression</i>	Relocatable address
<i>relocatable-symbol ± expression (index register)</i>	Indexed relocatable address

## Address Descriptions

The assembler accepts any combination of the constants and operations described in this chapter for expressions in address descriptions.

**Table 2-2** Assembler Addresses

Expression	Address Description
( <i>base-register</i> )	Specifies an indexed address, which assumes a zero offset. The <i>base-register</i> contents specify the address.
expression	Specifies an absolute address. The assembler generates the most locally efficient code for referencing a value at the specified address.
<i>expression (base-register)</i>	Specifies a based address. To get the address, the CPU adds the value of the expression to the contents of the base-register.
index-register(base-register)	Same as <i>expression(base-register)</i> , except that the index register is used as the offset.
relocatable-symbol	Specifies a relocatable address. The assembler generates the necessary instruction(s) to address the item and generates relocatable information for the link editor.
<i>relocatable-symbol ± expression</i>	Specifies a relocatable address. To get the address, the assembler adds or subtracts the value of the expression, which has an absolute value, from the relocatable symbol. The assembler generates the necessary instruction(s) to address the item and generates relocatable information for the link editor. If the symbol name does not appear as a label anywhere in the assembly, the assembler assumes that the symbol is external.

**Table 2-2 (continued)** Assembler Addresses

<b>Expression</b>	<b>Address Description</b>
<i>relocatable-symbol (index register)</i>	Specifies an indexed relocatable address. To get the address, the CPU adds the index register to the relocatable symbol's address. The assembler generates the necessary instruction(s) to address the item and generates relocatable information for the link editor. If the symbol name does not appear as a label anywhere in the assembly, the assembler assumes that the symbol is external.
<i>relocatable ± expression</i>	Specifies an indexed relocatable address. To get the address, the assembler adds or subtracts the relocatable symbol, the expression, and the contents of the index register. The assembler generates the necessary instruction(s) to address the item and generates relocation information for the link editor. If the symbol does not appear as a label anywhere in the assembly, the assembler assumes that the symbol is external.

---

## Exceptions

This chapter describes the exceptions that you can encounter while running assembly programs. The system detects some exceptions directly, and the assembler inserts specific tests that signal other exceptions. This chapter lists only those exceptions that occur frequently.

### Main Processor Exceptions

The following exceptions are the most common to the main processor:

- Address error exceptions, which occur when a data item is referenced that is not on its proper memory alignment or when an address is invalid for the executing process.
- Overflow exceptions, which occur when arithmetic operations compute signed values and the destination lacks the precision to store the result.
- Bus exceptions, which occur when an address is invalid for the executing process.
- Divide-by-zero exceptions, which occur when a divisor is zero.

## Floating Point Exceptions

The following are the most common floating point exceptions:

- Invalid operation exceptions which include:
  - Magnitude subtraction of infinities, for example: -1.
  - Multiplication of 0 by 1 with any signs.
  - Division of 0/0 or 1/1 with any signs.
  - Conversion of a binary floating point number to an integer format when an overflow or the operand value for the infinity or NaN precludes a faithful representation in the format (see Chapter 4).
  - Comparison of predicates that have unordered operands, and that involve Greater Than or Less Than without Unordered.
  - Any operation on a signaling NaN.
- Divide-by-zero exceptions.
- Overflow exceptions occur when a rounded floating-point result exceeds the destination format's largest finite number.
- Underflow exceptions these occur when a result has lost accuracy and also when a nonzero result is between  $2^{E_{\min}}$  (2 to the minimum expressible exponent).
- Inexact exceptions.

## Lexical Conventions

This chapter discusses lexical conventions for these topics:

- Tokens
- Comments
- Identifiers
- Constants
- Multiple lines per physical line
- Sections and location counters
- Statements
- Expressions

This chapter uses the following notation to describe syntax:

- | (vertical bar) means “or”
- [ ] (square brackets) enclose options
- $\pm$  indicates both addition and subtraction operations

## Tokens

The assembler has these tokens:

- Identifiers
- Constants
- Operators

The assembler lets you put blank characters and tab characters anywhere between tokens; however, it does not allow these characters within tokens (except for character constants). A blank or tab must separate adjacent identifiers or constants that are not otherwise separated.

## Comments

The pound sign character (#) introduces a comment. Comments that start with a # extend through the end of the line on which they appear. You can also use C-language notation `/*...*/` to delimit comments.

The assembler uses *cpp* (the C language preprocessor) to preprocess assembler code. Because *cpp* interprets #s in the first column as pragmas (compiler directives), do not start a # comment in the first column.

## Identifiers

An identifier consists of a case-sensitive sequence of alphanumeric characters, including these:

- . (period)
- \_ (underscore)
- \$ (dollar sign)

The first character of an identifier cannot be numeric.

If an identifier is not defined to the assembler (only referenced), the assembler assumes that the identifier is an external symbol. The assembler treats the identifier like a *globl* pseudo-operation (see Chapter 8). If the identifier is defined to the assembler and the identifier has not been specified as global, the assembler assumes that the identifier is a local symbol.

## Constants

The assembler has these constants:

- Scalar constants
- Floating point constants
- String constants

### Scalar Constants

The assembler interprets all scalar constants as twos-complement numbers. In 32-bit mode, a scalar constant is 32 bits. 64 bits is the size of a scalar constant in 64-bit mode. Scalar constants can be any of the alphanumeric characters *0123456789abcdefABCDEF*.

Scalar constants can be one of these constants:

- Decimal constants, which consist of a sequence of decimal digits without a leading zero.
- Hexadecimal constants, which consist of the characters 0x (or 0X) followed by a sequence of digits.
- Octal constants, which consist of a leading zero followed by a sequence of digits in the range 0..7.

## Floating Point Constants

Floating point constants can appear only in *.float* and *.double* pseudo-operations (directives), see Chapter 8, and in the floating point Load Immediate instructions, see Chapter 6. Floating point constants have this format:

```
+d1[.d2][e|E+d3]
```

where:

- *d1* is written as a decimal integer and denotes the integral part of the floating point value.
- *d2* is written as a decimal integer and denotes the fractional part of the floating point value.
- *d3* is written as a decimal integer and denotes a power of 10.
- The “+” symbol is optional.

For example:

```
21.73E-3
```

represents the number *.02173*.

Optionally, *.float* and *.double* directives may use hexadecimal floating point constants instead of decimal ones. A hexadecimal floating point constant consists of:

```
<+ or -> 0x <1 or 0 or nothing> . <hex digits> H 0x <hex digits>
```

The assembler places the first set of hex digits (excluding the 0 or 1 preceding the decimal point) in the mantissa field of the floating point format without attempting to normalize it. It stores the second set of hex digits into the exponent field without biasing them. It checks that the exponent is appropriate if the mantissa appears to be denormalized. Hexadecimal floating point constants are useful for generating IEEE special symbols, and for writing hardware diagnostics.

For example, either of the following generates a single-precision “1.0”:

```
.float 1.0e+0  
.float 0x1.0h0x7f
```

## String Constants

String constants begin and end with double quotation marks ("").

The assembler observes C language backslash conventions. For octal notation, the backslash conventions require three characters when the next character can be confused with the octal number. For hexadecimal notation, the backslash conventions require two characters when the next character can be confused with the hexadecimal number (that is, use a 0 for the first character of a single character hex number).

The assembler follows the backslash conventions shown in Table 4-1.

**Table 4-1** Backslash Conventions

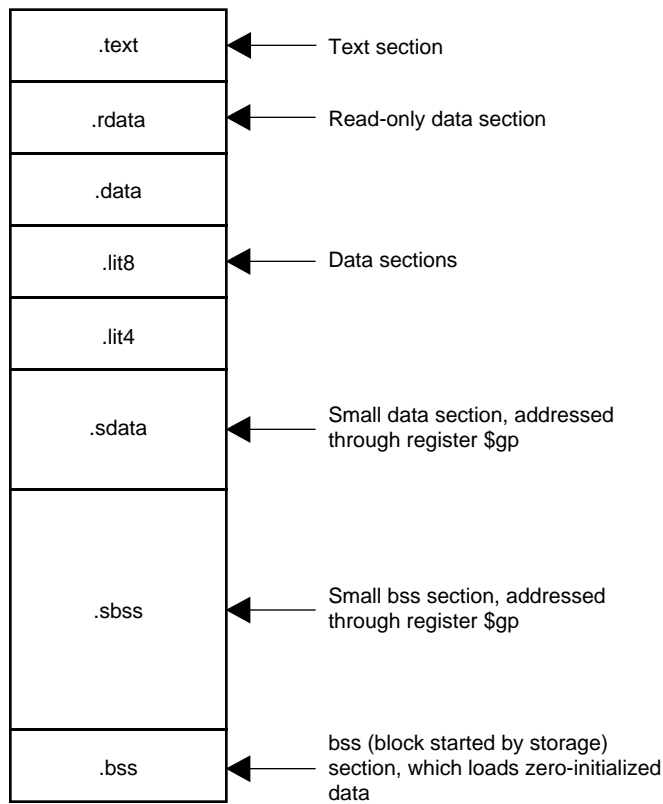
Convention	Meaning
<code>\a</code>	Alert (0x07)
<code>\b</code>	Backspace (0x08)
<code>\f</code>	Form feed (0x0c)
<code>\n</code>	Newline (0x0a)
<code>\r</code>	Carriage return (0x0d)
<code>\t</code>	horizontal tab (0x09)
<code>\v</code>	Vertical feed (0x0b)
<code>\\</code>	Backslash (0x5c)
<code>\"</code>	Double quotation mark (0x22)
<code>\'</code>	Single quotation mark (0x27)
<code>\000</code>	Character whose octal value is 000
<code>\Xnn</code>	Character whose hexadecimal value is <i>nn</i>

## Multiple Lines Per Physical Line

You can include multiple statements on the same line by separating the statements with semicolons. The assembler does not recognize semicolons as separators when they follow comment symbols (# or /\*).

## Section and Location Counters

Assembled code and data fall in one of the sections shown in Figure 4-1.



**Figure 4-1** Section and Location Counters

The assembler always generates the *text* section before other sections. Additions to the text section happen in four-byte units. Each section has an implicit location counter, which begins at zero and increments by one for each byte assembled in the section.

The *bss* section holds zero-initialized data. If a *.lcomm* pseudo-op defines a variable (see Chapter 8), the assembler assigns that variable to the *bss* (block started by storage) section or to the *sbss* (short block started by storage) section depending on the variable's size. The default variable size for *sbss* is 8 or fewer bytes.

The command line option **-G** for each compiler (C, Pascal, Fortran 77, or the assembler), can increase the size of *sbss* to cover all but extremely large data items. The link editor issues an error message when the **-G** value gets too large. If a **-G** value is not specified to the compiler, 8 is the default. Items smaller than, or equal to, the specified size go in *sbss*. Items greater than the specified size go in *bss*.

Because you can address items much more quickly through *\$gp* than through a more general method, put as many items as possible in *sdata* or *sbss*. The size of *sdata* and *sbss* combined must not exceed 64K bytes.

## Statements

Each statement consists of an optional label, an operation code, and the operand(s). The system allows these statements:

- Null statements
- Keyword statements

## Label Definitions

A label definition consists of an identifier followed by a colon. Label definitions assign the current value and type of the location counter to the name. An error results when the name is already defined, the assigned value changes the label definition, or both conditions exist.

Label definitions always end with a colon. You can put a label definition on a line by itself.

A generated label is a single numeric value (1...255). To reference a generated label, put an **f** (forward) or a **b** (backward) immediately after the digit. The reference tells the assembler to look for the nearest generated label that corresponds to the number in the lexically forward or backward direction.

## Null Statements

A null statement is an empty statement that the assembler ignores. Null statements can have label definitions. For example, this line has three null statements in it:

```
label: ; ;
```

## Keyword Statements

A keyword statement begins with a predefined keyword. The syntax for the rest of the statement depends on the keyword. All instruction opcodes are keywords. All other keywords are assembler pseudo-operations (directives).

## Expressions

An expression is a sequence of symbols that represent a value. Each expression and its result have data types. The assembler does arithmetic in two-complement integers (32 bits of precision in 32-bit mode; 64 bits of precision in 64-bit mode). Expressions follow precedence rules and consist of:

- Operators
- Identifiers
- Constants

Also, you may use a single character string in place of an integer within an expression. Thus:

```
.byte "a" ; .word "a"+0x19
```

is equivalent to:

```
.byte 0x61 ; .word 0x7a
```

### Precedence

Unless parentheses enforce precedence, the assembler evaluates all operators of the same precedence strictly from left to right. Because parentheses also designate index-registers, ambiguity can arise from parentheses in expressions. To resolve this ambiguity, put a unary + in front of parentheses in expressions.

The assembler has three precedence levels, which are listed here from lowest to highest precedence

least binding, lowest precedence	binary	+, -
.		
.	binary	*, /, %, <<, >>, ^, &,
.		
most binding, highest precedence	unary	~, +, -

**Note:** The assembler's precedence scheme differs from that of the C language.

## Expression Operators

For expressions, you can rely on the precedence rules, or you can group expressions with parentheses. The assembler recognizes the operators listed in Table 4-2.

**Table 4-2** Expression Operators

Operator	Meaning
+	Addition
-	Subtraction
*	Multiplication
/	Division
%	Remainder
<<	Shift Left
>>	Shift Right (sign NOT extended)
^	Bitwise Exclusive-OR
&	Bitwise AND
	Bitwise OR
-	Minus (unary)
+	Identity (unary)
~	Complement

## Data Types

The assembler manipulates several types of expressions. Each symbol you reference or define belongs to one of the categories shown in Table 4-3.

**Table 4-3** Data Types

Type	Description
undefined	Any symbol that is referenced but not defined becomes <i>global undefined</i> , and this module will attempt to import it. The assembler uses 32-bit addressing to access these symbols. (Declaring such a symbol in a <i>globl</i> pseudo-op merely makes its status clearer).
sundefined	A symbol defined by a <i>.extern</i> pseudo-op becomes <i>global small undefined</i> if its size is greater than zero but less than the number of bytes specified by the <b>-G</b> option on the command line (which defaults to 8). The linker places these symbols within a 64KB region pointed to by the <i>\$gp</i> register, so that the assembler can use economical 16-bit addressing to access them.
absolute	A constant defined in an "=" expression.
text	The <i>text</i> section contains the program's instructions, which are not modifiable during execution. Any symbol defined while the <i>.text</i> pseudo-op is in effect belongs to the text section.
data	The data section contains memory that the linker can initialize to nonzero values before your program begins to execute. Any symbol defined while the <i>.data</i> pseudo-op is in effect belongs to the data section. The assembler uses 32-bit or 64-bit addressing to access these symbols (depending on whether you are in 32-bit or 64-bit mode).
sdata	This category is similar to <i>data</i> , except that defining a symbol while the <i>.sdata</i> ("small data") pseudo-op is in effect causes the linker to place it within a 64KB region pointed to by the <i>\$gp</i> register, so that the assembler can use economical 16-bit addressing to access it.

**Table 4-3** Data Types

Type	Description
rdata	Any symbol defined while the <i>.rdata</i> pseudo-op is in effect belongs to this category, which is similar to <i>data</i> , but may not be modified during execution.
<i>bss</i> and <i>sbss</i>	The <i>bss</i> and <i>sbss</i> sections consist of memory which the kernel loader initializes to zero before your program begins to execute. Any symbol defined in a <i>.comm</i> or <i>.lcomm</i> pseudo-op belongs to these sections (except that a <i>.data</i> , <i>.sdata</i> , or <i>.rdata</i> pseudo-op can override a <i>.comm</i> directive). If its size is less than the number of bytes specified by the <i>-G</i> option on the command line (which defaults to 8), it belongs to <i>sbss</i> (“small bss”), and the linker places it within a 64k byte region pointed to by the <i>\$gp</i> register so that the assembler can use economical 16-bit addressing to access it. Otherwise, it belongs to <i>bss</i> and the assembler uses 32-bit or 64-bit addressing (depending on whether you are in 32-bit or 64-bit mode). Local symbols in <i>bss</i> or <i>sbss</i> defined by <i>.lcomm</i> are allocated memory by the assembler; global symbols are allocated memory by the link editor; and symbols defined by <i>.comm</i> are overlaid upon like-named symbols (in the fashion of Fortran “COMMON” blocks) by the link editor.

Symbols in the undefined and small undefined categories are always global (that is, they are visible to the link editor and can be shared with other modules of your program). Symbols in the *absolute*, *text*, *data*, *sdata*, *rdata*, *bss*, and *sbss* categories are local unless declared in a *.globl* pseudo-op.

## Type Propagation in Expressions

When expression operators combine expression operands, the result's type depends on the types of the operands and on the operator. Expressions follow these type propagation rules:

- If an operand is undefined, the result is undefined.
- If both operands are absolute, the result is absolute.
- If the operator is + and the first operand refers to a relocatable *text*-section, *data*-section, *bss*-section, or an undefined external, the result has the postulated type and the other operand must be *absolute*.
- If the operator is - and the first operand refers to a relocatable *text*-section, *data*-section, or *bss*-section symbol, the second operand can be *absolute* (if it previously defined) and the result has the first operand's type; or the second operand can have the same type as the first operand and the result is *absolute*. If the first operand is external undefined, the second operand must be *absolute*.
- The operators \*, /, %, <<, >>, ~, ^, &, and | apply only to absolute symbols.



---

## The Instruction Set

This chapter describes instruction notation and discusses assembler instructions for the main processor. Chapter 6 describes coprocessor notation and instructions.

### Instruction Classes

The assembler has these classes of instructions for the main processor:

- **Load and Store Instructions.** These instructions load immediate values and move data between memory and general registers.
- **Computational Instructions.** These instructions do arithmetic and logical operations for values in registers.
- **Jump and Branch Instructions.** These instructions change program control flow.

In addition, there are two other classes of instruction:

- **Coprocessor Interface.** These instructions provide standard interfaces to the coprocessors.
- **Special Instructions.** These instructions do miscellaneous tasks.

### Reorganization Constraints and Rules

To maximize performance, the goal of RISC designs is to achieve an execution rate of one machine cycle per instruction. When writing assembly language instructions, you must be aware of the rules to achieve this goal. This information is given in the *MIPS R4000 Microprocessor User's Manual* (published by Prentice Hall) or the *MIPS R8000 Microprocessor User's Manual*, depending on which architecture you are using.

## Instruction Notation

The tables in this chapter list the assembler format for each load, store, computational, jump, branch, coprocessor, and special instruction. The format consists of an op-code and a list of operand formats. The tables list groups of closely related instructions; for those instructions, you can use any op-code with any specified operand.

Operands can take any of these formats:

- Memory references. For example, a *relocatable symbol* +/- an *expression(register)*.
- Expressions (for immediate values).
- Two or three operands. For example, ADD \$3,\$4 is the same as ADD \$3,\$3,\$4.

The operands in the table in this chapter have the following meanings

Operand	Description
address	Symbolic expression (see Chapter2)
breakcode	Value that determines the break
destination	Destination register
destination/src1	Destination register is also source register 1
dest-copr	Destination coprocessor register
dest-gpr	Destination general register
expression	Absolute value
immediate	Expression with an immediate value
label	Symbolic label
operation	Coprocessor-specific operation
return	Register containing the return address
source	Source register
src1, src2	Source registers
src-copr	Coprocessor register from which values are assigned
src-gpr	General register from which values are assigned
target	Register containing the target
z	Coprocessor number in the range 0..2

## Instruction Set

The tables in this section summarize the assembly language instruction set. Most of the assembly language instructions have direct machine equivalents.

### Load and Store Instructions

Load and store are immediate type instructions that move data between memory and the general registers. Table 5-1 summarizes the load and store instruction format, and Table 5-2 and Table 5-3 provide more detailed descriptions for each load instruction. Table 5-4 and Table 5-5 provide details of each store instruction.

**Table 5-1** Load and Store Format Summary

Description	Op-code	Operands
Load Address	LA	<i>destination, address</i>
Load Doubleword Address	DLA	
Load Byte	LB	
Load Byte Unsigned	LBU	
Load Halfword	LH	
Load Halfword Unsigned	LHU	
Load Linked*	LL	
Load Word	LW	
Load Word Left	LWL	
Load Word Right	LWR	
Load Doubleword	LD	
Unaligned Load Halfword	ULH	
Unaligned Load Halfword Unsigned	ULHU	
Unaligned Load Word	ULW	
Load Immediate	LI	<i>destination, expression</i>

**Table 5-1 (continued)** Load and Store Format Summary

Description	Op-code	Operands
Load Doubleword Immediate	DLI	
Store Double Right	SDR	
Unaligned Store Doubleword	USD	
Load Upper Immediate	LUI	
Store Byte	SB	<i>source, address</i>
Store Conditional *	SC	
Store Double	SD	
Store Halfword	SH	
Store Word Left	SWL	
Store Word Right	SWR	
Store Word	SW	
Unaligned Store Halfword	USH	
Unaligned Store Word	USW	
Load Doubleword	LD	<i>destination, address</i>
Load Linked Doubleword	LLD	
Load Word Unsigned	LWU	
Load Doubleword Left	LDL	
Load Doubleword Right	LDR	
Unaligned Load Double	ULD	
Store Doubleword	SD	<i>source, address</i>
Store Conditional Doubleword	SCD	
Store Double Left	SDL	

\* Not valid in MIPS1 architectures

## Load Instruction Descriptions

For all load instructions, the effective address is the 32-bit twos-complement sum of the contents of the index-register and the (sign-extended) 16-bit offset. Instructions that have symbolic labels imply an index register, which the assembler determines. The assembler supports additional load instructions, which can produce multiple machine instructions.

**Note:** Load instructions can generate many code sequences for which the link editor must fix the address by resolving external data items.

**Table 5-2** Load Instruction Descriptions

Instruction Name	Description
Load Address (LA)	Loads the destination register with the effective 32-bit address of the specified data item.
Load Doubleword Address (DLA)	Loads the destination register with the effective 64-bit address of the specified data item (MIPS4 only).
Load Byte (LB)	Loads the least-significant byte of the destination register with the contents of the byte that is at the memory location specified by the effective address. The system treats the loaded byte as a signed value; bit seven is extended to fill the three most-significant bytes.
Load Byte Unsigned (LBU)	Loads the least-significant byte of the destination register with the contents of the byte that is at the memory location specified by the effective address. Because the system treats the loaded byte as an unsigned value, it fills the three most-significant bytes of the destination register with zeros.
Load Halfword (LH)	Loads the two least-significant bytes of the destination register with the contents of the halfword that is at the memory location specified by the effective address. The system treats the loaded halfword as a signed value. If the effective address is not even, the system signals an address error exception.

**Table 5-2 (continued)** Load Instruction Descriptions

Instruction Name	Description
Load Halfword Unsigned (LHU)	Loads the least-significant bits of the destination register with the contents of the halfword that is at the memory location specified by the effective address. Because the system treats the loaded halfword as an unsigned value, it fills the two most-significant bytes of the destination register with zeros. If the effective address is not even, the system signals an address error exception.
Load Linked (LL) *	Loads the destination register with the contents of the word that is at the memory location. This instruction performs an SYNC operation implicitly; all loads and stores to shared memory fetched prior to the LL must access memory before the LL, and loads and stores to shared memory fetched subsequent to the LL must access memory after the LL. Load Linked and Store Conditional can be used to update memory locations atomically. The system signals an address exception when the effective address is not divisible by four. *This instruction is not valid in the MIPS1 architectures.
Load Word (LW)	Loads the destination register with the contents of the word that is at the memory location. The system replaces all bytes of the register with the contents of the loaded word. The system signals an address error exception when the effective address is not divisible by four.
Load Word Left (LWL)	Loads the sign; that is, Load Word Left loads the destination register with the most-significant bytes of the word specified by the effective address. The effective address must specify the byte containing the sign. In a big-endian system, the effective address specifies the lowest numbered byte; in a little-endian system, the effective address specifies the highest numbered byte. Only the bytes which share the same aligned word in memory are merged into the destination register.

**Table 5-2 (continued)** Load Instruction Descriptions

Instruction Name	Description
Load Word Right (LWR)	Loads the lowest precision bytes; that is, Load Word Right loads the destination register with the least-significant bytes of the word specified by the effective address. The effective address must specify the byte containing the least-significant bits. In a big-endian configuration, the effective address specifies the highest numbered byte; in a little-endian configuration, the effective address specifies the lowest numbered byte. Only the bytes which share the same aligned word in memory are merged into the destination register.
Load Doubleword (LD)	LD is a machine instruction in the MIPS3 architecture. For the <b>-mips1</b> [default] and <b>-mips2</b> option: Loads the register pair ( <i>destination</i> and <i>destination + 1</i> ) with the two successive words specified by the address. The destination register must be the even register of the pair. When the address is not on a word boundary, the system signals an address error exception. <b>Note:</b> This is retained for use with the <b>-mips1</b> and <b>-mips2</b> options to provide backward compatibility only.
Unaligned Load Halfword (ULH)	Loads a halfword into the destination register from the specified address and extends the sign of the halfword. Unaligned Load Halfword loads a halfword regardless of the halfword's alignment in memory.
Unaligned Load Halfword Unsigned (ULHU)	Loads a halfword into the destination register from the specified address and zero extends the halfword. Unaligned Load Halfword Unsigned loads a halfword regardless of the halfword's alignment in memory.
Unaligned Load Word (ULW)	Loads a word into the destination register from the specified address. Unaligned Load Word loads a word regardless of the word's alignment in memory.
Load Immediate (LI)	Loads the destination register with the 32-bit value of an expression that can be computed at assembly time. <b>Note:</b> Load Immediate can generate any efficient code sequence to put a desired value in the register.

**Table 5-2 (continued)** Load Instruction Descriptions

Instruction Name	Description
Load Doubleword Immediate (DLI)	Loads the destination register with the 64-bit value of an expression that can be computed at assembly time. <b>Note:</b> Load Immediate can generate any efficient code sequence to put a desired value in the register (MIPS4 only).
Load Upper Immediate (LUI)	Loads the most-significant half of a register with the expression's value. The system fills the least-significant half of the register with zeros. The expression's value must be in the range -32768...65535.

**Table 5-3** Load Instruction Descriptions for MIPS3/4 Architecture Only

Instruction Name	Description
Load Doubleword (LD)	Loads the destination register with the contents of the doubleword that is at the memory location. The system replaces all bytes of the register with the contents of the loaded doubleword. The system signals an address error exception when the effective address is not divisible by eight.
Load Linked Doubleword (LLD)	Loads the destination register with the contents of the doubleword that is currently in the memory location. This instruction performs a SYNC operation implicitly. Load Linked Doubleword and Store Conditional Doubleword can be used to update memory locations atomically.
Load Word Unsigned (LWU)	Loads the least-significant bits of the destination register with the contents of the word (32 bits) that is at the memory location specified by the effective address. Because the system treats the loaded word as an unsigned value, it fills the four most-significant bytes of the destination register with zeros. If the effective address is not divisible by four, the system signals an address error exception.

**Table 5-3 (continued)** Load Instruction Descriptions for MIPS3/4 Architecture Only

Instruction Name	Description
Load Doubleword Left (LDL)	Loads the destination register with the most-significant bytes of the doubleword specified by the effective address. The effective address must specify the byte containing the sign. In a big-endian configuration, the effective address specifies the lowest numbered byte; in a little-endian machine, the effective address specifies the highest numbered byte. Only the bytes which share the same aligned doubleword in memory are merged into the destination register.
Load Doubleword Right (LDR)	Loads the destination register with the least-significant bytes of the doubleword specified by the effective address. The effective address must specify the byte containing the least-significant bits. In a big-endian machine, the effective address specifies the highest numbered byte. In a little-endian machine, the effective address specifies the lowest numbered byte. Only the bytes which share the same aligned doubleword in memory are merged into the destination register.
Unaligned Load Doubleword (ULD)	Loads a doubleword into the destination register from the specified address. ULD loads a doubleword regardless of the doubleword's alignment in memory.

### Store Instruction Descriptions

For all machine store instructions, the effective address is the 32-bit two's-complement sum of the contents of the index-register and the (sign-extended) 16-bit offset. The assembler supports additional store instructions, which can produce multiple machine

instructions. Instructions that have symbolic labels imply an index-register, which the assembler determines.

**Table 5-4** Store Instruction Descriptions

Instruction Name	Description
Store Byte (SB)	Stores the contents of the source register's least-significant byte in the byte specified by the effective address.
Store Conditional* (SC)	Stores the contents of a word from the source register into the memory location specified by the effective address. This instruction implicitly performs a SYNC operation; all loads and stores to shared memory fetched prior to the sc must access memory before the sc, and loads and stores to shared memory fetched subsequent to the sc must access memory after the sc. If any other processor or device has modified the physical address since the time of the previous Load Linked instruction, or if an RFE or ERET instruction occurs between the Load Linked and this store instruction, the store fails. The success or failure of the store operation (as defined above) is indicated by the contents of the source register after execution of the instruction. A successful store sets it to 1; and a failed store sets it to 0. The machine signals an address exception when the effective address is not divisible by four. *This instruction is not valid in the MIPS1 architectures.
Store Doubleword (SD)	SD is a machine instruction in the MIPS3 architecture. For the <b>-mips1</b> [default] and <b>-mips2</b> options: Stores the contents of the register pair in successive words, which the address specifies. The source register must be the even register of the pair, and the storage address must be word aligned. <b>Note:</b> This is retained for use with the <b>-mips1</b> and <b>-mips2</b> options to provide backward compatibility only.
Store Halfword (SH)	Stores the two least-significant bytes of the source register in the halfword that is at the memory location specified by the effective address. The effective address must be divisible by two; otherwise the machine signals an address error exception.

**Table 5-4 (continued)** Store Instruction Descriptions

Instruction Name	Description
Store Word Left (SWL)	Stores the most-significant bytes of a word in the memory location specified by the effective address. The contents of the word at the memory location, specified by the effective address, are shifted right so that the leftmost byte of the unaligned word is in the addressed byte position. The stored bytes replace the corresponding bytes of the effective address. The effective address's last two bits determine how many bytes are involved.
Store Word Right (SWR)	Stores the least-significant bytes of a word in the memory location specified by the effective address. The contents of the word at the memory location, specified by the effective address, are shifted left so that the right byte of the unaligned word is in the addressed byte position. The stored bytes replace the corresponding bytes of the effective address. The effective address's last two bits determine how many bytes are involved.
Store Word (SW)	Stores the contents of a word from the source register in the memory location specified by the effective address. The effective address must be divisible by four; otherwise the machine signals an address error exception.
Unaligned Store Halfword (USH)	Stores the contents of the two least-significant bytes of the source register in a halfword that the address specifies. The machine does not require alignment for the storage address.
Unaligned Store Word (USW)	Stores the contents of the source register in a word specified by the address. The machine does not require alignment for the storage address.

**Table 5-5** Store Instruction Descriptions for MIPS3/4 Architecture Only

Instruction Name	Description
Store Doubleword (SD)	Stores the contents of a doubleword from the source register in the memory location specified by the effective address. The effective address must be divisible by eight, otherwise the machine signals an address error exception.
Store Conditional Doubleword (SCD)	Stores the contents of a doubleword from the source register into the memory locations specified by the effective address. This instruction implicitly performs a SYNC operation. If any other processor or device has modified the physical address since the time of the previous Load Linked instruction, or if an ERET instruction occurs between the Load Linked instruction and this store instruction, the store fails and is inhibited from taking place. The success or failure of the store operation (as defined above) is indicated by the contents of the source register after execution of this instruction. A successful store sets it to 1; and a failed store sets it to 0. The machine signals an address exception when the effective address is not divisible by eight.
Store Doubleword Left (SDL)	Stores the most-significant bytes of a doubleword in the memory location specified by the effective address. It alters only the doubleword in memory which contains the byte indicated by the effective address.
Store Doubleword Right (SDR)	Stores the least-significant bytes of a doubleword in the memory location specified by the effective address. It alters only the doubleword in memory which contains the byte indicated by the effective address.
Unaligned Store Doubleword (USD)	Stores the contents of the source register in a doubleword specified by the address. The machine does not require alignment for the storage address.

## Computational Instructions

The machine has general-purpose and coprocessor-specific computational instructions (for example, the floating-point coprocessor). This part of the book describes general-purpose computational instructions.

## Computational Instructions

Computational instructions perform the following operations on register values;

- arithmetic
- logical
- shift
- multiply
- divide

Table 5-6 summarizes the computational format summaries, and Table 5-7 and Table 5-8 describe these instructions in more detail.

**Table 5-6** Computational Format Summaries

Description	Op-code	Operand
Add with Overflow	ADD	<i>destination, src1, src2</i>
Add without Overflow	ADDU	<i>destination, src1, src2</i>
AND	AND	<i>destination, src1, immediate</i>
Divide Signed	DIV	<i>destination/ src1, immediate</i>
Divide Unsigned	DIVU	
Exclusive-OR	XOR	
Multiply	MUL	
Multiply with Overflow	MULO	
Multiply with Overflow Unsigned	MULOU	
NOT OR	NOR	
OR	OR	
Set Equal	SEQ	
Set Greater Than	SGT	
Set Greater/Equal	SGE	

**Table 5-6 (continued)** Computational Format Summaries

Description	Op-code	Operand
Set Greater/Equal Unsigned	SGEU	
Set Greater Unsigned	SGTU	
Set Less Than	SLT	
Set Less/Equal	SLE	
Set Less/Equal Unsigned	SLEU	
Set Less Than Unsigned	SLTU	
Set Not Equal	SNE	
Subtract with Overflow	SUB	
Subtract without Overflow	SUBU	
Remainder Signed	REM	
Remainder Unsigned	REMU	
Rotate Left	ROL	
Rotate Right	ROR	
Shift Right Arithmetic	SRA	
Shift Left Logical	SLL	
Shift Right Logical	SRL	
Absolute Value	ABS	<i>destination, src1</i>
Negate with Overflow	NEG	<i>destination/src1</i>
Negate without Overflow	NEGU	
NOT	NOT	
Move	MOVE	<i>destination, src1</i>
Move Conditional on Not Zero	MOVN	<i>destination, src1, src2</i>
Move Conditional on Zero	MOVZ	
Multiply	MULT	<i>src1,src2</i>

**Table 5-6 (continued)** Computational Format Summaries

<b>Description</b>	<b>Op-code</b>	<b>Operand</b>
Multiply Unsigned	MULTU	
Trap if Equal	TEQ	<i>src1, src2</i>
Trap if not Equal	TNE	<i>src1, immediate</i>
Trap if Less Than	TLT	
Trap if Less than, Unsigned	TLTU	
Trap if Greater Than or Equal	TGE	
Trap if Greater than or Equal, Unsigned	TGEU	
Doubleword Add with Overflow	DADD	<i>destination,src1, src2</i> <i>destination/ src1,src2</i>
Doubleword Add without Overflow	DADDU	<i>destination, src1, immediate</i> <i>destination/ src1, immediate</i>
Doubleword Divide Signed	DDIV	
Doubleword Divide Unsigned	DDIVU	
Doubleword Multiply	DMUL	
Doubleword Multiply with Overflow	DMULO	
Doubleword Multiply with Overflow Unsigned	DMULO U	
Doubleword Subtract with Overflow	DSUB	
Doubleword Subtract without Overflow	DSUBU	

<b>Description</b>	<b>Op-code</b>	<b>Operand</b>
Doubleword Remainder Signed	DREM	
Doubleword Remainder Unsigned	DREMU	

Description	Op-code	Operand
Doubleword Rotate Left	DROL	
Doubleword Rotate Right	DROR	
Doubleword Shift Right Arithmetic	DSRA	
Doubleword Shift Left Logical	DSL	
Doubleword Shift Right Logical	DSRL	
Doubleword Absolute Value	DABS	<i>destination, src1</i>
Doubleword Negate with Overflow	DNEG	<i>destination/src1</i>
Doubleword Negate without Overflow	DNEGU	
Doubleword Multiply	DMULT	<i>src1, src2</i>
Doubleword Multiply Unsigned	DMULT U	<i>src1, immediate</i>

### Computational Instruction Descriptions

**Table 5-7** Computational Instruction Descriptions

Instruction Name	Description
Absolute Value (ABS)	Computes the absolute value of the contents of <i>src1</i> and puts the result in the destination register. If the value in <i>src1</i> is $-2147483648$ , the machine signals an overflow exception.
Add with Overflow (ADD)	Computes the twos-complement sum of two signed values. This instruction adds the contents of <i>src1</i> to the contents of <i>src2</i> , or it can add the contents of <i>src1</i> to the immediate value. Add (with Overflow) puts the result in the destination register. When the result cannot be extended as a 32-bit number, the machine signals an overflow exception.
Add without Overflow (ADDU)	Computes the twos-complement sum of two 32-bit values. This instruction adds the contents of <i>src1</i> to the contents of <i>src2</i> , or it can add the contents of <i>src1</i> to the immediate value. Add (without Overflow) puts the result in the destination register. Overflow exceptions never occur.

**Table 5-7 (continued)** Computational Instruction Descriptions

Instruction Name	Description
AND (AND)	Computes the Logical AND of two values. This instruction ANDs (bit-wise) the contents of <i>src1</i> with the contents of <i>src2</i> , or it can AND the contents of <i>src1</i> with the immediate value. The immediate value is not sign extended. AND puts the result in the destination register.
Divide Signed (DIV)	<p>Computes the quotient of two values. Divide (with Overflow) treats <i>src1</i> as the dividend. The divisor can be <i>src2</i> or the immediate value. The instruction divides the contents of <i>src1</i> by the contents of <i>src2</i>, or it can divide <i>src1</i> by the immediate value. It puts the quotient in the destination register. If the divisor is zero, the machine signals an error and may issue a BREAK instruction. The DIV instruction rounds toward zero. Overflow is signaled when dividing <math>-2147483648</math> by <math>-1</math>. The machine may issue a BREAK instruction for divide-by-zero or for overflow.</p> <p><b>Note:</b> The special case DIV \$0,<i>src1</i>,<i>src2</i> generates the real machine divide instruction and leaves the result in the HI/LO register. The HI register contains the remainder and the LO register contains the quotient. No checking for divide-by-zero is performed.</p>
Divide Unsigned (DIVU)	Computes the quotient of two unsigned 32-bit values. Divide (unsigned) treats <i>src1</i> as the dividend. The divisor can be <i>src2</i> or the immediate value. This instruction divides the contents of <i>src1</i> by the contents of <i>src2</i> , or it can divide the contents of <i>src1</i> by the immediate value. Divide (unsigned) puts the quotient in the destination register. If the divisor is zero, the machine signals an exception and may issue a BREAK instruction. See the note for DIV concerning \$0 as a destination. Overflow exceptions never occur.
Exclusive-OR (XOR)	Computes the XOR of two values. This instruction XORs (bit-wise) the contents of <i>src1</i> with the contents of <i>src2</i> , or it can XOR the contents of <i>src1</i> with the immediate value. The immediate value is not sign extended. Exclusive-OR puts the result in the destination register.
Move (MOVE)	Moves the contents of <i>src1</i> to the destination register.

**Table 5-7 (continued)** Computational Instruction Descriptions

Instruction Name	Description
Move Conditional on Not Zero (MOVN)	Conditionally moves the contents of <i>src1</i> to the destination register after testing that <i>src2</i> is not equal to zero (MIPS4 only.)
Move Conditional on Zero (MOVZ)	Conditionally moves the contents of <i>src1</i> to the destination register after testing that <i>src2</i> is equal to zero (MIPS4 only).
Multiply (MUL)	<p>Computes the product of two values. This instruction puts the 32-bit product of <i>src1</i> and <i>src2</i>, or the 32-bit product of <i>src1</i> and the immediate value, in the destination register. The machine does not report overflow.</p> <p><b>Note:</b> Use MUL when you do not need overflow protection: it's often faster than MULO and MULO. For multiplication by a constant, the MUL instruction produces faster machine instruction sequences than MULT or MULTU instructions can produce.</p>
Multiply (MULT)	<p>Computes the 64-bit product of two 32-bit signed values. This instruction multiplies the contents of <i>src1</i> by the contents of <i>src2</i> and puts the result in the HI and LO registers (see Chapter 1). No overflow is possible.</p> <p><b>Note:</b> The MULT instruction is a real machine language instruction.</p>
Multiply Unsigned (MULTU)	<p>Computes the product of two unsigned 32-bit values. It multiplies the contents of <i>src1</i> and the contents of <i>src2</i> and puts the result in the HI and LO registers (see Chapter 1). No overflow is possible.</p> <p><b>Note:</b> The MULTU instruction is a real machine language instruction.</p>

**Table 5-7 (continued)** Computational Instruction Descriptions

Instruction Name	Description
Multiply with Overflow (MULO)	<p>Computes the product of two 32-bit signed values. Multiply (with Overflow) puts the 32-bit product of <i>src1</i> and <i>src2</i>, or the 32-bit product of <i>src1</i> and the immediate value, in the destination register. When an overflow occurs, the machine signals an overflow exception and may execute a BREAK instruction.</p> <p><b>Note:</b> For multiplication by a constant, MULO produces faster machine instruction sequences than MULT or MULTU can produce; however, if you do not need overflow detection, use the MUL instruction. It's often faster than MULO.</p>
Multiply with Overflow Unsigned (MULOU)	<p>Computes the product of two 32-bit unsigned values. Multiply (with Overflow Unsigned) puts the 32-bit product of <i>src1</i> and <i>src2</i>, or the product of <i>src1</i> and the immediate value, in the destination register. This instruction treats the multiplier and multiplicand as 32-bit unsigned values. When an overflow occurs, the machine signals an overflow exception and may issue a BREAK instruction.</p> <p><b>Note:</b> For multiplication by a constant, MULOU produces faster machine instruction sequences than MULT or MULTU can reproduce; however, if you do not need overflow detection, use the MUL instruction. It's often faster than MULOU.</p>
Negate with Overflow (NEG)	<p>Computes the negative of a value. This instruction negates the contents of <i>src1</i> and puts the result in the destination register. If the value in <i>src1</i> is -2147483648, the machine signals an overflow exception.</p>
Negate without Overflow (NEGU)	<p>Negates the integer contents of <i>src1</i> and puts the result in the destination register. The machine does not report overflows.</p>
NOT (NOT)	<p>Computes the Logical NOT of a value. This instruction complements (bit-wise) the contents of <i>src1</i> and puts the result in the destination register.</p>
NOT OR (NOR)	<p>Computes the NOT OR of two values. This instruction combines the contents of <i>src1</i> with the contents of <i>src2</i> (or the immediate value). NOT OR complements the result and puts it in the destination register.</p>

OR (OR)	Computes the Logical OR of two values. This instruction ORs (bit-wise) the contents of <i>src1</i> with the contents of <i>src2</i> , or it can OR the contents of <i>src1</i> with the immediate value. The immediate value is not sign-extended. OR puts the result in the destination register.
Remainder Signed (REM)	Computes the remainder of the division of two unsigned 32-bit values. The machine defines the remainder $REM(i,j)$ as $i - (j * \text{div}(i,j))$ where $j \neq 0$ . Remainder (with Overflow) treats <i>src1</i> as the dividend. The divisor can be <i>src2</i> or the immediate value. This instruction divides the contents of <i>src1</i> by the contents of <i>src2</i> , or it can divide the contents of <i>src1</i> by the immediate value. It puts the remainder in the destination register. The REM instruction rounds toward zero, rather than toward negative infinity. For example, $\text{div}(5,-3)=-1$ , and $\text{rem}(5,-3)=2$ . For divide-by-zero, the machine signals an error and may issue a BREAK instruction.
Remainder Unsigned (REMU)	Computes the remainder of the division of two unsigned 32-bit values. The machine defines the remainder $REM(i,j)$ as $i - (j * \text{div}(i,j))$ where $j \neq 0$ . Remainder (unsigned) treats <i>src1</i> as the dividend. The divisor can be <i>src2</i> or the immediate value. This instruction divides the contents of <i>src1</i> by the contents of <i>src2</i> , or it can divide the contents of <i>src1</i> by the immediate value. Remainder (unsigned) puts the remainder in the destination register. For divide-by-zero, the machine signals an error and may issue a BREAK instruction.
Rotate Left (ROL)	Rotates the contents of a register left (toward the sign bit). This instruction inserts in the least-significant bit any bits that were shifted out of the sign bit. The contents of <i>src1</i> specify the value to shift, and the contents of <i>src2</i> (or the immediate value) specify the amount to shift. Rotate Left puts the result in the destination register. If <i>src2</i> (or the immediate value) is greater than 31, it wraps around to 0.

**Table 5-7 (continued)** Computational Instruction Descriptions

Instruction Name	Description
Rotate Right (ROR)	Rotates the contents of a register right (toward the least-significant bit). This instruction inserts in the sign bit any bits that were shifted out of the least-significant bit. The contents of <i>src1</i> specify the value to shift, and the contents of <i>src2</i> (or the immediate value) specify the amount to shift. Rotate Right puts the result in the destination register. If <i>src2</i> (or the immediate value) is greater than 32, <i>src1</i> shifts by <i>src2</i> MOD 32.
Set Equal (SEQ)	Compares two 32-bit values. If the contents of <i>src1</i> equal the contents of <i>src2</i> (or <i>src1</i> equals the immediate value) this instruction sets the destination register to one; otherwise, it sets the destination register to zero.
Set Greater Than (SGT)	Compares two signed 32-bit values. If the contents of <i>src1</i> are greater than the contents of <i>src2</i> (or <i>src1</i> is greater than the immediate value), this instruction sets the destination register to one; otherwise, it sets the destination register to zero.
Set Greater/Equal (SGE)	Compares two signed 32-bit values. If the contents of <i>src1</i> are greater than or equal to the contents of <i>src2</i> (or <i>src1</i> is greater than or equal to the immediate value), this instruction sets the destination register to one; otherwise, it sets the destination register to zero.
Set Greater/Equal Unsigned (SGEU)	Compares two unsigned 32-bit values. If the contents of <i>src1</i> are greater than or equal to the contents of <i>src2</i> (or <i>src1</i> is greater than or equal to the immediate value), this instruction sets the destination register to one; otherwise, it sets the destination register to zero.
Set Greater Than Unsigned (SGTU)	Compares two unsigned 32-bit values. If the contents of <i>src1</i> are greater than the contents of <i>src2</i> (or <i>src1</i> is greater than the immediate value), this instruction sets the destination register to one; otherwise, it sets the destination register to zero.

**Table 5-7 (continued)** Computational Instruction Descriptions

Instruction Name	Description
Set Less Than (SLT)	Compares two signed 32-bit values. If the contents of <i>src1</i> are less than the contents of <i>src2</i> (or <i>src1</i> is less than the immediate value), this instruction sets the destination register to one; otherwise, it sets the destination register to zero.
Set Less/Equal (SLE)	Compares two signed 32-bit values. If the contents of <i>src1</i> are less than or equal to the contents of <i>src2</i> (or <i>src1</i> is less than or equal to the immediate value), this instruction sets the destination register to one; otherwise, it sets the destination register to zero.
Set Less/Equal Unsigned (SLEU)	Compares two unsigned 32-bit values. If the contents of <i>src1</i> are less than or equal to the contents of <i>src2</i> (or <i>src1</i> is less than or equal to the immediate value) this instruction sets the destination register to one; otherwise, it sets the destination register to zero.
Set Less Than Unsigned (SLTU)	Compares two unsigned 32-bit values. If the contents of <i>src1</i> are less than the contents of <i>src2</i> (or <i>src1</i> is less than the immediate value), this instruction sets the destination register to one; otherwise, it sets the destination register to zero.
Set Not Equal (SNE)	Compares two 32-bit values. If the contents of <i>src1</i> do not equal the contents of <i>src2</i> (or <i>src1</i> does not equal the immediate value), this instruction sets the destination register to one; otherwise, it sets the destination register to zero.
Shift Left Logical (SLL)	Shifts the contents of a register left (toward the sign bit) and inserts zeros at the least-significant bit. The contents of <i>src1</i> specify the value to shift, and the contents of <i>src2</i> or the immediate value specify the amount to shift. If <i>src2</i> (or the immediate value) is greater than 31 or less than 0, <i>src1</i> shifts by <i>src2</i> MOD 32.

**Table 5-7 (continued)** Computational Instruction Descriptions

Instruction Name	Description
Shift Right Arithmetic (SRA)	Shifts the contents of a register right (toward the least-significant bit) and inserts the sign bit at the most-significant bit. The contents of <i>src1</i> specify the value to shift, and the contents of <i>src2</i> (or the immediate value) specify the amount to shift. If <i>src2</i> (or the immediate value) is greater than 31 or less than 0, <i>src1</i> shifts by the result of <i>src2</i> MOD 32.
Shift Right Logical (SRL)	Shifts the contents of a register right (toward the least-significant bit) and inserts zeros at the most-significant bit. The contents of <i>src1</i> specify the value to shift, and the contents of <i>src2</i> (or the immediate value) specify the amount to shift. If <i>src2</i> (or the immediate value) is greater than 31 or less than 0, <i>src1</i> shifts by the result of <i>src2</i> MOD 32.
Subtract with Overflow (SUB)	Computes the twos-complement difference for two signed values. This instruction subtracts the contents of <i>src2</i> from the contents of <i>src1</i> , or it can subtract the contents of the immediate from the <i>src1</i> value. Subtract (with Overflow) puts the result in the destination register. When the true result's sign differs from the destination register's sign, the machine signals an overflow exception.
Subtract without Overflow (SUBU)	Computes the twos-complement difference for two 32-bit values. This instruction subtracts the contents of <i>src2</i> from the contents of <i>src1</i> , or it can subtract the contents of the immediate from the <i>src1</i> value. Subtract (without Overflow) puts the result in the destination register. Overflow exceptions never happen.
Trap if Equal (TEQ)	Compares two 32-bit values. If the contents of <i>src1</i> equal the contents of <i>src2</i> (or <i>src1</i> equals the immediate value), a trap exception occurs.
Trap if Not Equal (TNE)	Compares two 32-bit values. If the contents of <i>src1</i> do not equal the contents of <i>src2</i> (or <i>src1</i> does not equal the immediate value), a trap exception occurs.
Trap if Less Than (TLT)	Compares two signed 32-bit values. If the contents of <i>src1</i> are less than the contents of <i>src2</i> (or <i>src1</i> is less than the immediate value), a trap exception occurs.

**Table 5-7 (continued)** Computational Instruction Descriptions

Instruction Name	Description
Trap if Less Than Unsigned (TLTU)	Compares two unsigned 32-bit values. If the contents of <i>src1</i> are less than the contents of <i>src2</i> (or <i>src1</i> is less than the immediate value), a trap exception occurs.
Trap if Greater than or Equal (TGE)	Compares two signed 32-bit values. If the contents of <i>src1</i> are greater than the contents of <i>src2</i> (or <i>src1</i> is greater than the immediate value), a trap exception occurs.
Trap if Greater than or Equal Unsigned (TGEU)	Compares two unsigned 32-bit values. If the contents of <i>src1</i> are greater than the contents of <i>src2</i> (or <i>src1</i> is greater than the immediate value), a trap exception occurs.

**Table 5-8** Computational Instruction Descriptions for MIPS3/4 Architecture

Instruction Name	Description
Doubleword Absolute Value (DABS)	Computes the absolute value of the contents of <i>src1</i> , treated as a 64-bit signed value, and puts the result in the destination register. If the value in <i>src1</i> is $-2^{63}$ , the machine signals an overflow exception.
Doubleword Add with Overflow (DADD)	Computes the twos-complement sum of two 64-bit signed values. The instruction adds the contents of <i>src1</i> to the contents of <i>src2</i> , or it can add the contents of <i>src1</i> to the immediate value. When the result cannot be extended as a 64-bit number, the system signals an overflow exception.
Doubleword Add without Overflow (DADDU)	Computes the twos-complement sum of two 64-bit values. The instruction adds the contents of <i>src1</i> to the contents of <i>src2</i> , or it can add the contents of <i>src1</i> to the immediate value. Overflow exceptions never occur.
Doubleword Divide Signed (DDIV)	Computes the quotient of two 64-bit values. DDIV treats <i>src1</i> as the dividend. The divisor can be <i>src2</i> or the immediate value. It puts the quotient in the destination register. If the divisor is zero, the system signals an error and may issue a BREAK instruction. The DDIV instruction rounds towards zero. Overflow is signaled when dividing $-2^{63}$ by $-1$ . <b>Note:</b> The special case DDIV <i>\$0,src1,src2</i> generates the real doubleword divide instruction and leaves the result in the HI/LO register. The HI register contains the quotient. No checking for divide-by-zero is performed.

**Table 5-8 (continued)** Computational Instruction Descriptions for MIPS3/4 Architecture

Instruction Name	Description
Doubleword Divide Unsigned (DDIVU)	<p>Computes the quotient of two unsigned 64-bit values. DDIVU treats <i>src1</i> as the dividend. The divisor can be <i>src2</i> or the immediate value. It puts the quotient in the destination register. If the divisor is zero, the system signals an exception and may issue a BREAK instruction. See note for DDIV concerning \$0 as a destination. Overflow exceptions never occur.</p>
Doubleword Multiply (DMUL)	<p>Computes the product of two values. This instruction puts the 64-bit product of <i>src1</i> and <i>src2</i>, or the 64-bit product of <i>src1</i> and the immediate value, in the destination register. Overflow is not reported.</p> <p><b>Note:</b> Use DMUL when you do not need overflow protection. It is often faster than DMULO and DMULOU. For multiplication by a constant, the DMUL instruction produces faster machine instruction sequences than DMULT or DMULTU can produce.</p>
Doubleword Multiply (DMULT)	<p>Computes the 128-bit product of two 64-bit signed values. This instruction multiplies the contents of <i>src1</i> by the contents of <i>src2</i> and puts the result in the HI and LO registers. No overflow is possible. <b>Note:</b> The DMULT instruction is a real machine language instruction.</p>
Doubleword Multiply Unsigned (DMULTU)	<p>Computes the product of two unsigned 64-bit values. It multiplies the contents of <i>src1</i> and the contents of <i>src2</i>, putting the result in the HI and LO registers. No overflow is possible.</p> <p><b>Note:</b> The DMULTU instruction is a real machine language instruction.</p>
Doubleword Multiply with Overflow (DMULO)	<p>Computes the product of two 64-bit signed values. It puts the 64-bit product of <i>src1</i> and <i>src2</i>, or the 64-bit product of <i>src1</i> and the immediate value, in the destination register. When an overflow occurs, the system signals an overflow exception and may execute a BREAK instruction.</p> <p><b>Note:</b> For multiplication by a constant, DMULO produces faster machine instruction sequences than DMULT or DMULTU can produce; however, if you do not need overflow detection, use the DMUL instruction. It is often faster than DMULO.</p>

**Table 5-8 (continued)** Computational Instruction Descriptions for MIPS3/4 Architecture

Instruction Name	Description
Doubleword Multiply with Overflow Unsigned (DMULOU)	<p>Computes the product of two 64-bit unsigned values. It puts the 64-bit product of <i>src1</i> and <i>src2</i>, or the 64-bit product of <i>src1</i> and the immediate value, into the destination register. When an overflow occurs, the system signals an overflow exception and may issue a BREAK instruction.</p> <p><b>Note:</b> For multiplication by a constant, DMULOU produces faster machine instruction sequences than DMULT or DMULTU produces; however, if you do not need overflow detection, use the DMUL instruction. It is often faster than DMULOU.</p>
Doubleword Negate with Overflow (DNEG)	<p>Computes the negative of a 64-bit value. The instruction negates the contents of <i>src1</i> and puts the result in the destination register. If the value of <i>src1</i> is <math>-2^{63}</math>, the system signals an overflow exception.</p>
Doubleword Negate without Overflow (DNEGU)	<p>Negates the 64-bit contents of <i>src1</i> and puts the result in the destination register. Overflow is not reported.</p>
Doubleword Remainder Signed (DREM)	<p>Computes the remainder of the division of two signed 64-bit values. It treats <i>src1</i> as the dividend. The divisor can be <i>src2</i> or the immediate value. The DREMU instruction puts the remainder in the destination register. If the divisor is zero, the system signals an error and may issue a BREAK instruction.</p>
Doubleword Remainder Unsigned (DREMU)	<p>Computes the remainder of the division of two unsigned 64-bit values. It treats <i>src1</i> as the dividend. The divisor can be <i>src2</i> or the immediate value. The DREMU instruction puts the remainder in the destination register. If the divisor is zero, the system signals an error and may issue a BREAK instruction.</p>
Doubleword Rotate Left (DROL)	<p>Rotates the contents of a 64-bit register left (towards the sign bit). This instruction inserts in the least-significant bit any bits that were shifted out of the sign bit. The contents of <i>src1</i> specify the value to shift, and contents of <i>src2</i> (or the immediate value) specify the amount to shift. If <i>src2</i> (or the immediate value) is greater than 63, <i>src1</i> shifts by <math>src2 \text{ MOD } 64</math>.</p>

**Table 5-8 (continued)** Computational Instruction Descriptions for MIPS3/4 Architecture

Instruction Name	Description
Doubleword Rotate Right (DROR)	Rotates the contents of a 63-bit register right (towards the least-significant bit). This instruction inserts in the sign bit any bits that were shifted out of the least-significant bit. The contents of <i>src1</i> specify the value to shift, and the contents of <i>src2</i> (or the immediate value) specify the amount to shift. If <i>src2</i> (or the immediate value) is greater than 63, <i>src1</i> shifts by <i>src2</i> MOD 64.
Doubleword Shift Left Logical (DSL)	Shifts the contents of a 64-bit register left (towards the sign bit) and inserts zeros at the least-significant bit. The contents of <i>src1</i> specify the value to shift, and the contents of <i>src2</i> (or the immediate value) specify the amount to shift. If <i>src2</i> (or the immediate value) is greater than 63, <i>src1</i> shifts by <i>src2</i> MOD 64.
Doubleword Shift Right Arithmetic (DSRA)	Shifts the contents of a 64-bit register right (towards the least-significant bit) and inserts the sign bit at the most-significant bit. The contents of <i>src2</i> (or the immediate value) specify the amount to shift. If <i>src2</i> (or the immediate value) is greater than 63, <i>src1</i> shifts by <i>src2</i> MOD 64.
Doubleword Shift Right Logical (DSRL)	Shifts the contents of a 64-bit register right (towards the least-significant bit) and inserts zeros at the most-significant bit. The contents of <i>src1</i> specify the value to shift, and the contents of <i>src2</i> (or the immediate value) specify the amount to shift. If <i>src2</i> (or the immediate value) is greater than 63, <i>src1</i> shifts by <i>src2</i> MOD 64.
Doubleword Subtract with Overflow (DSUB)	Computes the two's-complement difference for two signed 64-bit values. This instruction subtracts the contents of <i>src2</i> from the contents of <i>src1</i> , or it can subtract the immediate value from the contents of <i>src1</i> . It puts the result in the destination register. When the true result's sign differs from the destination register's sign, the system signals an overflow exception.
Doubleword Subtract without Overflow (DSUBU)	Computes the two's complement difference for two unsigned 64-bit values. This instruction subtracts the contents of <i>src2</i> from the contents of <i>src1</i> , or it can subtract the immediate value from the contents of <i>src1</i> . It puts the result in the destination register. Overflow exceptions never happen.

## Jump and Branch Instructions

The jump and branch instructions let you change an assembly program's control flow. This section of the book describes jump and branch instructions.

### Jump and Branch Instructions

Jump and branch instructions change the flow of a program. Table 5-9 summarizes the formats of jump and branch instructions.

**Table 5-9** Jump and Branch Format Summary

Description	Op-code	Operand
Jump	J	address
Jump and Link	JAL	address target return,target
Branch on Equal	BEQ	src1,src2,label
Branch on Greater	BGT	src1,immediate,label
Branch on Greater/Equal	BGE	
Branch on Greater/Equal Unsigned	BGEU	
Branch on Greater Than Unsigned	BGTU	
Branch on Less Than	BLT	
Branch on Less/Equal	BLE	
Branch on Less/Equal Unsigned	BLEU	
Branch on Less Than Unsigned	BLTU	
Branch on Not Equal	BNE	
Branch	B	label
Branch and Link	BAL	
Branch on Equal Likely*	BEQL	src1,src2,label

**Table 5-9 (continued)** Jump and Branch Format Summary

<b>Description</b>	<b>Op-code</b>	<b>Operand</b>
Branch on Greater Than Likely*	BGTL	<i>src1, immediate, label</i>
Branch on Greater/Equal Likely *	BGEL	
Branch on Greater/Equal Unsigned Likely*	BGEUL	
Branch on Greater Than Unsigned Likely*	BGTUL	
Branch on Less Than Likely*	BLTL	
Branch on Less/Equal Likely *	BLEL	
Branch on Less/Equal Unsigned Likely*	BLEUL	
Branch on Less Than Unsigned Likely*	BLTUL	
Branch on Not Equal Likely*	BNEL	
Branch on Equal to Zero	BEQZ	<i>src1, label</i>
Branch on Greater/Equal Zero	BGEZ	
Branch on Greater Than Zero	BGTZ	
Branch on Greater or Equal to Zero and Link	BGEZAL	
Branch on Less Than Zero and Link	BLTZAL	
Branch on Less/Equal Zero	BLEZ	
Branch on Less Than Zero	BLTZ	
Branch on Not Equal to Zero	BNEZ	
Branch on Equal to Zero Likely*	BEQZL	<i>src1, label</i>
Branch on Greater/Equal Zero Likely*	BGEZL	
Branch on Greater Than Zero Likely*	BGTZL	
Branch on Greater or Equal to Zero and Link Likely*	BGEZALL	
Branch on Less Than Zero and Link Likely*	BLTZALL	
Branch on Less/Equal Zero Likely*	BLEZL	

**Table 5-9 (continued)** Jump and Branch Format Summary

Description	Op-code	Operand
Branch on Less Than Zero Likely*	BLTZL	
Branch on Not Equal to Zero Likely*	BNEZL	

\* Not valid in MIPS1 architecture.

## Jump and Branch Instruction Descriptions

In Table 5-10 branch instructions, branch destinations must be defined in the source being assembled.

**Table 5-10** Jump and Branch Instruction Descriptions

Instruction Name	Description
Branch (B)	Branches unconditionally to the specified label.
Branch and Link (BAL)	Branches unconditionally to the specified label and puts the return address in general register \$31.
Branch on Equal (BEQ)	Branches to the specified label when the contents of <i>src1</i> equal the contents of <i>src2</i> , or when the contents of <i>src1</i> equal the immediate value.
Branch on Equal to Zero (BEQZ)	Branches to the specified label when the contents of <i>src1</i> equal zero.
Branch on Greater Than (BGT)	Branches to the specified label when the contents of <i>src1</i> are greater than the contents of <i>src2</i> , or it can branch when the contents of <i>src1</i> are greater than the immediate value. The comparison treats the comparands as signed 32-bit values.
Branch on Greater/Equal Unsigned (BGEU)	Branches to the specified label when the contents of <i>src1</i> are greater than or equal to the contents of <i>src2</i> , or it can branch when the contents of <i>src1</i> are greater than or equal to the immediate value. The comparison treats the comparands as unsigned 32-bit values.
Branch on Greater/Equal Zero (BGEZ)	Branches to the specified label when the contents of <i>src1</i> are greater than or equal to zero.

**Table 5-10 (continued)** Jump and Branch Instruction Descriptions

Instruction Name	Description
Branch on Greater/Equal Zero and Link (BGEZAL)	Branches to the specified label when the contents of <i>src1</i> are greater than or equal to zero and puts the return address in general register \$31. When this write is done, it destroys the contents of the register. See the <i>MIPS Microprocessor User's Manual</i> appropriate to your architecture for more information. Do <b>not</b> use BGEZAL \$31.
Branch on Greater or Equal (BGE)	Branches to the specified label when the contents of <i>src1</i> are greater than or equal to the contents of <i>src2</i> , or it can branch when the contents of <i>src1</i> are greater than or equal to the immediate value. The comparison treats the comparands as signed 32-bit values.
Branch on Greater Than Unsigned (BGTU)	Branches to the specified label when the contents of <i>src1</i> are greater than the contents of <i>src2</i> , or it can branch when the contents of <i>src1</i> are greater than the immediate value. The comparison treats the comparands as unsigned 32-bit values.
Branch on Greater Than Zero (BGTZ)	Branches to the specified label when the contents of <i>src1</i> are greater than zero.
Branch on Less Than Zero (BLTZ)	Branches to the specified label when the contents of <i>src1</i> are less than zero. The program must define the destination.
Branch on Less Than (BLT)	Branches to the specified label when the contents of <i>src1</i> are less than the contents of <i>src2</i> , or it can branch when the contents of <i>src1</i> are less than the immediate value. The comparison treats the comparands as signed 32-bit values.
Branch on Less/Equal Unsigned (BLEU)	Branches to the specified label when the contents of <i>src1</i> are less than or equal to the contents of <i>src2</i> , or it can branch when the contents of <i>src1</i> are less than or equal to the immediate value. The comparison treats the comparands as unsigned 32-bit values.
Branch on Less/Equal Zero (BLEZ)	Branches to the specified label when the contents of <i>src1</i> are less than or equal to zero. The program must define the destination.

**Table 5-10 (continued)** Jump and Branch Instruction Descriptions

Instruction Name	Description
Branch on Less or Equal (BLE)	Branches to the specified label when the contents of <i>src1</i> are less than or equal to the contents of <i>src2</i> , or it can branch when the contents of <i>src1</i> are less than or equal to the immediate value. The comparison treats the comparands as signed 32-bit values.
Branch on Less Than Unsigned (BLTU)	Branches to the specified label when the contents of <i>src1</i> are less than the contents of <i>src2</i> , or it can branch when the contents of <i>src1</i> are less than the immediate value. The comparison treats the comparands as unsigned 32-bit values.
Branch on Less Than Zero and Link (BLTZAL)	Branches to the specified label when the contents of <i>src1</i> are less than zero and puts the return address in general register \$31. Because the value is always stored in register 31, there is a chance of a stored value being overwritten before it is used. See the MIPS microprocessor user's manual appropriate to your architecture for more information. Do <b>not</b> use BGEZAL \$31
Branch on Not Equal (BNE)	Branches to the specified label when the contents of <i>src1</i> do not equal the contents of <i>src2</i> , or it can branch when the contents of <i>src1</i> do not equal the immediate value.
Branch on Not Equal to Zero (BNEZ)	Branches to the specified label when the contents of <i>src1</i> do not equal zero.
Jump (J)	Unconditionally jumps to a specified location. A symbolic address or a general register specifies the destination. The instruction J \$31 returns from a JAL call instruction.

**Table 5-10 (continued)** Jump and Branch Instruction Descriptions

Instruction Name	Description
Jump And Link (JAL)	Unconditionally jumps to a specified location and puts the return address in a general register. A symbolic address or a general register specifies the target location. By default, the return address is placed in register \$31. If you specify a pair of registers, the first receives the return address and the second specifies the target. The instruction JAL <i>procname</i> transfers to <i>procname</i> and saves the return address. For the two-register form of the instruction, the target register may not be the same as the return-address register. For the one-register form, the target may not be \$31.
Branch Likely Instructions	Same as the ordinary branch instruction (without the "Likely"), except in a branch likely instruction, the instruction in the delay slot is nullified if the conditional branch is not taken.  <b>Note:</b> The branch likely instructions should be used only inside a <i>.set noreorder</i> schedule in an assembly program. The assembler does not attempt to schedule the delay slot of a branch likely instruction.

## Special Instructions

The main processor's special instructions do miscellaneous tasks. See Table 5-11.

## Special Instruction Descriptions

**Table 5-11** Special Instruction Descriptions

Instruction Name	Description
Break (BREAK)	Unconditionally transfers control to the exception handler. The <i>breakcode</i> operand is interpreted by software conventions. The <i>breakcode1</i> operand is used to fill the low-order 10 bits of the 20-bit immediate field in the BREAK instruction. The optional second operand, <i>breakcode2</i> , fills the high-order 10 bits.
Exception Return (ERET)	Returns from an interrupt, exception or error trap. Similar to a branch or jump instruction, ERET executes the next instruction before taking effect. Use this on R4000 processor machines in place of RFE.
Move From HI Register (MFHI)	Moves the contents of the HI register to a general-purpose register.
Move From LO Register (MFLO)	Moves the contents of the LO register to a general-purpose register.
Move To HI Register (MTHI)	Moves the contents of a general-purpose register to the HI register.
Move To LO Register (MTLO)	Moves the contents of a general-purpose register to the LO register.
Restore From Exception (RFE)	Restores the previous interrupt called and user/kernel state. This instruction can execute only in kernel state and is unavailable in user mode.
Syscall (SYSCALL)	Causes a system call trap. The operating system interprets the information set in registers to determine what system call to do.

## Coprocessor Interface Instructions

The coprocessor interface instructions provide standard ways to access your machine's coprocessors. See Table 5-12 and Table 5-13.

## Coprocessor Interface Summary

**Table 5-12** Coprocessor Interface Formats

Description	Op-code	Operand
Load Word Coprocessor <i>z</i>	LWCz	<i>dest-copr, address</i>
Load Double Coprocessor <i>z</i> *	LDCz	
Store Word Coprocessor <i>z</i>	SWCz	<i>src-copr, address</i>
Store Double Coprocessor <i>z</i> *	SDCz	
Move From Coprocessor <i>z</i>	MFCz	<i>dest-gpr, source</i>
Move To Coprocessor <i>z</i>	MTCz	<i>src-gpr, destination</i>
Doubleword Move From Coprocessor <i>z</i> **	DMFCz	
Doubleword Move To Coprocessor <i>z</i> **	DMTCz	
Branch Coprocessor <i>z</i> False	BCzF	label
Branch Coprocessor <i>z</i> True	BCzT	
Branch Coprocessor <i>z</i> False Likely*	BCzFL	
Branch Coprocessor <i>z</i> True Likely*	BCzTL	
Coprocessor <i>z</i> Operation	Cz	expression
Control From Coprocessor <i>z</i>	CFCz	<i>dest-gpr, source</i>
Control To Coprocessor <i>z</i>	CTCz	<i>src-gpr, destination</i>

\* Not valid in MIPS1 architectures.

\*\* Not valid in MIPS1 and MIPS2 architectures.

**Note:** You cannot use coprocessor load and store instructions with the system control coprocessor (cp0).

## Coprocessor Interface Instruction Descriptions

**Table 5-13** Coprocessor Interface Instruction Descriptions

Instruction Name	Description
Branch Coprocessor z True (BCzT)	Branches to the specified label when the specified coprocessor asserts a true condition. The z selects one of the coprocessors. A previous coprocessor operation sets the condition.
Branch Coprocessor z False (BCzF)	Branches to the specified label when the specified coprocessor asserts a false condition. The z selects one of the coprocessors. A previous coprocessor operation sets the condition.
Branch Coprocessor z True Likely (BCzTL)	Branches to the specified label when the specified coprocessor asserts a true condition. If the conditional branch is not taken, the instruction in the branch delay slot is nullified.  <b>Note:</b> The branch likely instructions should be used only within a <i>.set noreorder</i> block. The assembler does not attempt to schedule the delay slot of a branch likely instruction.
Branch Coprocessor z False Likely (BCzFL)	Branches to the specified label when the specified coprocessor asserts a false condition. If the conditional branch is not taken, the instruction in the branch delay slot is nullified.  <b>Note:</b> The branch likely instructions should be used only within a <i>.set noreorder</i> block. The assembler does not attempt to schedule the delay slot of a branch likely instruction.
Control From Coprocessor z (CFCz)	Stores the contents of the coprocessor control register specified by the source in the general register specified by <b>dest-gpr</b> .
Control To Coprocessor (CTCz)	Stores the contents of the general register specified by <b>src-gpr</b> in the coprocessor control register specified by the destination.
Coprocessor z Operation (Cz)	Executes a coprocessor-specific operation on the specified coprocessor. The z selects one of four distinct coprocessors.

**Table 5-13 (continued)** Coprocessor Interface Instruction Descriptions

Instruction Name	Description
Load Word Coprocessor <i>z</i> (LWCz)	Loads the destination with the contents of a word that is at the memory location specified by the effective address. The <i>z</i> selects one of four distinct coprocessors. Load Word Coprocessor replaces all register bytes with the contents of the loaded word. If bits 0 and 1 of the effective address are not zero, the machine signals an address exception.
Load Double Coprocessor <i>z</i> (LDCz)	Loads a doubleword from the memory location specified by the effective address and makes the data available to coprocessor unit <i>z</i> . The manner in which each coprocessor uses the data is defined by the individual coprocessor specifications. This instruction is not valid in MIPS1 architectures. If any of the three least-significant bits of the effective address are non-zero, the machine signals an address error exception.
Move From Coprocessor <i>z</i> (MFCz)	Stores the contents of the coprocessor register specified by the source in the general register specified by <i>dest-gpr</i> .
Move To Coprocessor <i>z</i> (MTCz)	Stores the contents of the general register specified by <i>src-gpr</i> in the coprocessor register specified by the <i>destination</i> .
Doubleword Move From Coprocessor <i>z</i> (DMFCz)	Stores the 64-bit contents of the coprocessor register specified by the source into the general register specified by <i>dest-gpr</i> .
Doubleword Move To Coprocessor <i>z</i> (DMTCz)	Stores the 64-bit contents of the general register <i>src-gpr</i> into the coprocessor register specified by the <i>destination</i> .

**Table 5-13 (continued)** Coprocessor Interface Instruction Descriptions

<b>Instruction Name</b>	<b>Description</b>
Store Word Coprocessor z (SWCz)	Stores the contents of the coprocessor register in the memory location specified by the effective address. The z selects one of four distinct coprocessors. If bits 0 and 1 of the effective address are not zero, the machine signals an address error exception.
Store Double Coprocessor z (SDCz)	Coprocessor z sources a doubleword, which the processor writes the memory location specified by the effective address. The data to be stored is defined by the individual coprocessor specifications. This instruction is not valid in MIPS1 architecture. If any of the three least-significant bits of the effective address are non-zero, the machine signals an address error exception.

---

## Coprocessor Instruction Set

This chapter describes the coprocessor instructions for these coprocessors:

- System control coprocessor (cp0) instructions
- Floating-point coprocessor instructions

See Chapter 5 for a description of the main processor's instructions and the coprocessor interface instructions.

### Instruction Notation

The tables in this chapter list the assembler format for each coprocessor's load, store, computational, jump, branch, and special instructions. The format consists of an op-code and a list of operand formats. The tables list groups of closely related instructions; for those instructions, you can use any op-code with any specified operand.

**Note:** The system control coprocessor instructions do not have operands.

Operands can have any of these formats:

- Memory references: for example, a relocatable symbol +/- an expression(register)
- Expressions (for immediate values)
- Two or three operands: for example, ADD \$3,\$4 is the same as ADD \$3,\$3,\$4
- The following terms are used to discuss floating-point operations:
- **infinite:** A value of +1 or -1.
- **infinity:** A symbolic entity that represents values with magnitudes greater than the largest value in that format.
- **ordered:** The usual result from a comparison, namely: <,=, or >.

- **NaN:** Symbolic entities that represent values not otherwise available in floating-point formats. There are two kinds of NaNs. *Quiet NaNs* represent unknown or uninitialized values. *Signaling NaNs* represent symbolic values and values that are too big or too precise for the format. Signaling NaNs raise an invalid operation exception whenever an operation is attempted on them.
- **unordered:** The condition that results from a floating-point comparison when one or both operands are NaNs.

## Floating-Point Instructions

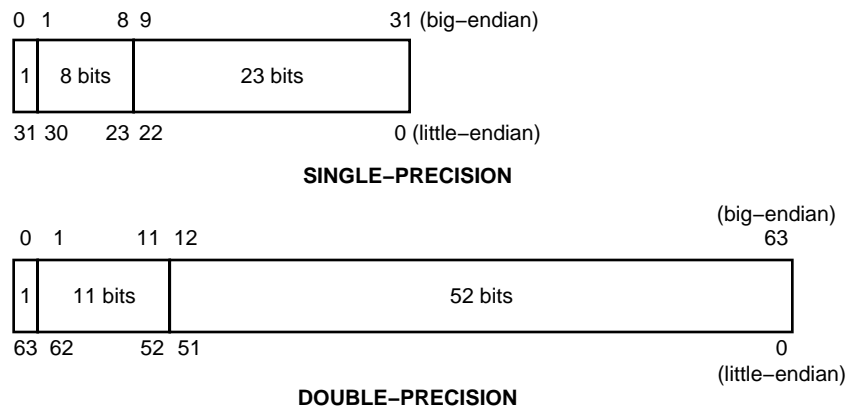
The floating-point coprocessor has these classes of instructions:

- **Load and Store Instructions:** Load values and move data between memory and coprocessor registers.
- **Move Instructions:** Move data between registers.
- **Computational Instructions:** Do arithmetic and logical operations on values in coprocessor registers.
- **Relational Instructions:** Compare two floating-point values.

A particular floating-point instruction may be implemented in hardware, software, or a combination of hardware and software.

## Floating-Point Formats

The formats for the single- and double-precision floating-point constants are shown in Figure 6-1:



**Figure 6-1** Floating Point Formats

## Floating-Point Load and Store Formats

Floating-point load and store instructions must use even registers. The operands in Table 6-1 have the following meanings:

Operand	Meaning
address	Offset (base)
destination	Destination register
source	Source register

Description	Op-code	Operand
<b>Load Fp</b>		
Double	L.D	<i>destination, address</i>
Single	L.S	
<b>Load Indexed Fp</b>		
Double	LDXC1	<i>destination, index(base)</i>
Single	LWXC1	
<b>Load Immediate Fp</b>		
Double	LI.D	<i>destination, floating-point constant</i>
Single	LI.S	
<b>Store Fp</b>		
Double	S.D	<i>source, address</i>
Single	S.S	
<b>Store Indexed Fp</b>		
Double	SDXC1	<i>destination, index(base)</i>
Single	SWXC1	

## Floating-Point Load and Store Descriptions

This part of Chapter 6 groups the instructions by function. Please consult “Floating-Point Instructions” for the op-codes. Table 6-1 describes the floating-point Load and Store instructions.

**Table 6-1** Floating-Point Load and Store Descriptions

Instruction	Description
Load Fp Instructions	Load eight bytes for double-precision and four bytes for single-precision from the specified effective address into the destination register, which must be an even register (32-bit only). The bytes must be word aligned. <b>Note:</b> We recommend that you use doubleword alignment for double-precision operands. It is required in the MIPS2 architecture (R4000 and later).
Load Indexed Fp Instructions	Indexed loads follow the same description as the load instructions above except that indexed loads use <i>index+base</i> to specify the effective address (64-bit only).
Store Fp Instructions	Stores eight bytes for double-precision and four bytes for single-precision from the source floating-point register in the destination register, which must be an even register (32-bit only). <b>Note:</b> We recommend that you use doubleword alignment for double-precision operands. It is required in the MIPS2 architecture and later.
Store Indexed Fp Instructions	Indexed stores follow the same description as the store instructions above except that indexed stores use <i>index+base</i> to specify the effective address (64-bit only).

### Floating-Point Computational Formats

This part of Chapter 6 describes floating-point computational instructions. The operands in Table 6-3 and Table 6-4 have the following meaning:

Operand	Meaning
destination	Destination register
gpr	General-purpose register
source	Source register

Description	Op-code	Operand
<b>Absolute Value Fp</b>		
Double	ABS.D	<i>destination, src1</i>
Single	ABS.S	
<b>Negate Fp</b>		
Double	NEG.D	
Single	NEG.S	
<b>Add Fp</b>		
Double	ADD.D	<i>destination, src1, src2</i>
Single	ADD.S	
<b>Divide Fp</b>		
Double	DIV.D	
Single	DIV.S	
<b>Multiply Fp</b>		
Double	MUL.D	
Single	MUL.S	
<b>Subtract Fp</b>		
Double	SUB.D	
Single	SUB.S	
<b>Multiply Add FP</b>		
Double	MADD.D	<i>destination, src1, src2, src3</i>

Description	Op-code	Operand
Single	MADD.S	
<b>Negative Multiply Add FP</b>		
Double	NMADD.D	
Single	NMADD.S	
<b>Multiply Subtract FP</b>		
Double	MSUB.D	
Single	MSUB.S	
<b>Negative Multiply Subtract FP</b>		
Double	NMSUB.D	
Single	NMSUB.S	
<b>Convert Source to Specified Fp Precision</b>		
Double to Single Fp	CVT.S.D	<i>destination, src1</i>
Fixed Point to Single Fp	CVT.S.W	
Single to Double Fp	CVT.D.S	
Fixed Point to Double Fp	CVT.D.W	
Single to Fixed Point Fp	CVT.W.S	
Double to Fixed Point Fp	CVT.W.D	
<b>Truncate and Round Operations</b>		
Truncate to Single Fp	TRUNC.W.S	<i>destination, src, gpr</i>
Truncate to Double Fp	TRUNC.W.D	
Round to Single Fp	ROUND.W.S	
Round to Double Fp	ROUND.W.D	
Ceiling to Double Fp	CEIL.W.D	
Ceiling to Single Fp	CEIL.W.S	
Ceiling to Double Fp, Unsigned	CEILU.W.D	
Ceiling to Single Fp, Unsigned	CEILU.W.S	
Floor to Double Fp	FLOOR.W.D	

Description	Op-code	Operand
Floor to Single Fp	FLOOR.W.S	
Floor to Double F, Unsigned	FLOORU.W.D	
Floor to Single Fp Unsigned	FLOORU.W.S	
Round to Double Fp Unsigned	ROUNDU.W.D	
Round to Single Fp Unsigned	ROUNDU.W.S	
Truncate to Double Fp Unsigned	TRUNCU.W.D	
Truncate to Single Fp Unsigned	TRUNCU.W.S	

Description	Op-code	Operand
-------------	---------	---------

**Convert Source to Specified Fp Precision**

---

Long Fixed Point to Single Fp	CVT.S.L	<i>destination, src1</i>
Long Fixed Point to Double FP	CVT.D.L	
Single to Long Fixed Point FP	CVT.L.S	
Double to Long Fixed Point FP	CVT.L.D	

---

**Truncate and Round Operations**

---

Truncate Single to Long Fixed Point	TRUNC.L.S	<i>destination, src, gpr</i>
Truncate Double to Long Fixed Point	TRUNC.L.D	
Round Single to Long Fixed Point	ROUND.L.S	
Round Double to Long Fixed Point	ROUND.L.D	
Ceiling Single to Long Fixed Point	CEIL.L.S	
Ceiling Double to Long Fixed Point	CEIL.L.D	
Floor Single to Long Fixed Point	FLOOR.L.S	
Floor Double to Long Fixed Point	FLOOR.L.D	

---

**Reciprocal Approximation Operations**

---

Reciprocal Approximation Single Fp	RECIPS	<i>destination, src1</i>
Reciprocal Approximation Double Fp	RECIPD	
Reciprocal Square Root Single Fp	RSQRT.S	
Reciprocal Square Root Double Fp	RSQRT.D	

## Floating-Point Computational Instruction Descriptions

This part of Chapter 6 groups the instructions by function. Refer to Table 6-3 and Table 6-4 for the op-code names. Table 6-2 describes the floating-point Computational instructions.

**Table 6-2** Floating-Point Computational Instruction Descriptions

Instruction	Description
Absolute Value Fp Instructions	Compute the absolute value of the contents of <i>src1</i> and put the specified precision floating-point result in the destination register.
Add Fp Instructions	Add the contents of <i>src1</i> (or the destination) to the contents of <i>src2</i> and put the result in the destination register. When the sum of two operands with opposite signs is exactly zero, the sum has a positive sign for all rounding modes except round toward $-1$ . For that rounding mode, the sum has a negative sign.
Convert Source to Another Precision Fp Instructions	Convert the contents of <i>src1</i> to the specified precision, round according to the rounding mode, and put the result in the destination register.
Multiply-Then-Add Fp Instructions	Multiply the contents of <i>src2</i> and <i>src3</i> , then add the result to <i>src1</i> and store in the destination register (MADD). The NMADD instruction does the same multiply then add, but then negates the sign of the result (64-bit only)..
Multiply-Then-Subtract Fp Instructions	Multiply the contents of <i>src2</i> and <i>src3</i> , then subtract the result from <i>src1</i> and store in the destination register (MSUB). The NMSUB instruction does the same multiply then subtract, but then negates the sign of the result (64-bit only)..
Truncate and Round instructions	The TRUNC instructions truncate the value in the source floating-point register and put the resulting integer in the destination floating-point register, using the third (general-purpose) register to hold a temporary value. (This is a macro-instruction.) The ROUND instructions work like TRUNC, but round the floating-point value to an integer instead of truncating it.

**Table 6-2 (continued)** Floating-Point Computational Instruction Descriptions

Instruction	Description
Divide Fp Instructions	Compute the quotient of two values. These instructions treat <i>src1</i> as the dividend and <i>src2</i> as the divisor. Divide Fp instructions divide the contents of <i>src1</i> by the contents of <i>src2</i> and put the result in the destination register. If the divisor is a zero, the machine signals a error if the divide-by-zero exception is enabled.
Multiply Fp Instructions	Multiplies the contents of <i>src1</i> (or the destination) with the contents of <i>src2</i> and puts the result in the destination register.
Negate FP Instructions	Compute the negative value of the contents of <i>src1</i> and put the specified precision floating-point result in the destination register.
Subtract Fp Instructions	Subtract the contents of <i>src2</i> from the contents of <i>src1</i> (or the destination). These instructions put the result in the destination register. When the difference of two operands with the same signs is exactly zero, the difference has a positive sign for all rounding modes except round toward -1. For that rounding mode, the sum has a negative sign.
Reciprocal Approximation Instructions	For RECIP, the reciprocal of the value in <i>src1</i> is approximated and placed into the destination register. For RSQRT, the reciprocal of the square root of the value in <i>src1</i> is approximated and placed into the destination register.

### Floating-Point Relational Operations

Table 6-3 summarizes the floating-point relational instructions. The first column under *Condition* gives a mnemonic for the condition tested. As the “branch on true/false” condition can be used logically to negate any condition, the second column supplies a mnemonic for the logical negation of the condition in the first column. This provides a total of 32 possible conditions. The four columns under *Relations* give the result of the comparison based on each condition. The final column states if an invalid operation is signaled for each condition.

For example, with an *equal* condition (EQ mnemonic in the True column), the logical negation of the condition is not equal (NEQ), and a comparison that is equal is True for equal and False for greater than, less than, and unordered, and no Invalid Operation Exception is given if the relation is unordered.

**Table 6-3** Floating-Point Relational Operators

Conditions		Relations				Invalid Operation Exception if Unordered
Mnemonics	Mnemonics	Greater Than	Less Than	Equal	Unordered	
True	False					
F	T	F	F	F	F	no
UN	OR	F	F	F	T	no
EQ	NEQ	F	F	T	F	no
UEQ	OLG	F	F	T	T	no
OLT	UGE	F	T	F	F	no
ULT	OGE	F	T	F	T	no
OLE	UGT	F	T	T	F	no
ULE	OGT	F	T	T	T	no
SF	ST	F	F	F	F	yes
NGLE	GLE	F	F	F	T	yes
SEQ	SNE	F	F	T	F	yes
NGL	GL	F	F	T	T	yes
LT	NLT	F	T	F	F	yes
NGE	GE	F	T	F	T	yes
LE	NLE	F	T	T	F	yes
NGT	GT	F	T	T	T	yes

The mnemonics found in Table 6-3 have following meanings:

<b>Mnemonic</b>	<b>Meaning</b>	<b>Mnemonic</b>	<b>Meaning</b>
F	False	T	True
UN	Unordered	OR	Ordered
EQ	Equal	NEQ	Not Equal
UEQ	Unordered or Equal	OLG	Ordered or Less than or Greater than
OLT	Ordered Less Than	UGE	Unordered or Greater than or Equal
ULT	Unordered or Less Than	OGE	Ordered Greater than or Equal
OLE	Ordered Less than or Equal	UGT	Unordered or Greater Than
ULE	Unorderd or Less than or Equal	OGT	Ordered Greater Than
SF	Signaling False	ST	Signaling True
NGLE	Not Greater than or Less than or Equal	GLE	Greater than, or Less than or Equal
SEQ	Signaling Equal	SNE	Signaling Not Equal
NGL	Not Greater than or Less than	GL	Greater Than or Less Less Than
LT	Less Than	NLT	Not Less Than
NGE	Not Greater Than	GE	Greater Than or Equal or Equal
LE	Less Than or Equal	NLE	Not Less Than or Equal
NGT	Not Greater Than	GT	Greater Than

To branch on the result of a relational:

```

/* branching on a compare result */

c.eq.s $f1,$f2 /* compare the single-precision values */
bc1t true /* if $f1 equals $f2, branch to true */
bc1f false /* if $f1 does not equal $f2, branch to */
/* false */

```

## Floating-Point Relational Instruction Formats

These are the floating-point relational instruction formats.

Description	Op-code	Operand
<b>Compare F</b>		
Double	C.FD	<i>src1,src2</i>
Single	C.FS	
<b>Compare UN</b>		
Double	C.UN.D	
Single	C.UN.S	
<b>*Compare EQ</b>		
Double	C.EQ.D	
Single	C.EQ.S	
<b>Compare UEQ</b>		
Double	C.UEQ.D	
Single	C.UEQ.S	
<b>Compare OLT</b>		
Double	C.OLT.D	
Single	C.>OLT.S	
<b>Compare ULT</b>		
Double	C.ULT.D	
Single	C.ULT.S	
<b>Compare OLE</b>		
Double	C.OLE.D	
Single	C.OLE.S	
<b>Compare ULE</b>		
Double	C.ULE.D	
Single	C.ULE.S	
<b>Compare SF</b>		
Double	C.SF.D	

Description	Op-code	Operand
Single	C.SF.S	
<b>Compare NGLE</b>		
Double	C.NGLE.D	<i>src1, src2</i>
Single	C.NGLE.S	
<b>Compare SEQ</b>		
Double	C.SEQ.D	
Single	C.SEQ.S	
<b>Compare NGL</b>		
Double	C.NGL.D	
Single	C.NGL.S	
<b>*Compare LT</b>		
Double	C.LT.D	
Single	C.LT.S	
<b>Compare NGE</b>		
Double	C.NGE.D	
Single	C.NGE.S	
<b>*Compare LE</b>		
Double	C.LE.D	
Single	C.LE.S	
<b>Compare NGT</b>		
Double	C.NGT.D	
Single	C.NGT.S	

**Note:** These are the most common Compare instructions. The MIPS coprocessor instruction set provides others for IEEE compatibility.

## Floating-Point Relational Instruction Descriptions

This part of Chapter 6 describes the relational instruction descriptions by function. Refer to Chapter 1 for information regarding registers.

**Table 6-4** Floating-Point Relational Instruction Descriptions

Instruction	Description
Compare EQ Instructions	Compare the contents of <i>src1</i> with the contents of <i>src2</i> . If <i>src1</i> equals <i>src2</i> a true condition results; otherwise, a false condition results. The machine does not signal an exception for unordered values.
Compare F Instructions	Compare the contents of <i>src1</i> with the contents of <i>src2</i> . These instructions always produce a false condition. The machine does not signal an exception for unordered values.
Compare LE	Compare the contents of <i>src1</i> with the contents of <i>src2</i> . If <i>src1</i> is less than or equal to <i>src2</i> , a true condition results; otherwise, a false condition results. The machine signals an exception for unordered values.
Compare LT	Compare the contents of <i>src1</i> with the contents of <i>src2</i> . If <i>src1</i> is less than <i>src2</i> , a true condition results; otherwise, a false condition results. The machine signals an exception for unordered values.
Compare NGE	Compare the contents of <i>src1</i> with the contents of <i>src2</i> . If <i>src1</i> is less than <i>src2</i> (or the contents are unordered), a true condition results; otherwise, a false condition results. The machine signals an exception for unordered values.
Compare NGL	Compare the contents of <i>src1</i> with the contents of <i>src2</i> . If <i>src1</i> equals <i>src2</i> or the contents are unordered, a true condition results; otherwise, a false condition results. The machine signals an exception for unordered values.
Compare NGLE	Compare the contents of <i>src1</i> with the contents of <i>src2</i> . If <i>src1</i> is unordered, a true condition results; otherwise, a false condition results. The machine signals an exception for unordered values.

**Table 6-4 (continued)** Floating-Point Relational Instruction Descriptions

Instruction	Description
Compare NGT	Compare the contents of <i>src1</i> with the contents of <i>src2</i> . If <i>src1</i> is less than or equal to <i>src2</i> or the contents are unordered, a true condition results; otherwise, a false condition results. The machine signals an exception for unordered values.
Compare OLE Instructions	Compare the contents of <i>src1</i> with the contents of <i>src2</i> . If <i>src1</i> is less than or equal to <i>src2</i> , a true condition results; otherwise, a false condition results. The machine does not signal an exception for unordered values.
Compare OLT Instructions	Compare the contents of <i>src1</i> with the contents of <i>src2</i> . If <i>src1</i> is less than <i>src2</i> , a true condition results; otherwise, a false condition results. The machine does not signal an exception for unordered values.
Compare SEQ Instructions	Compare the contents of <i>src1</i> with the contents of <i>src2</i> . If <i>src1</i> equals <i>src2</i> , a true condition results; otherwise, a false condition results. The machine signals an exception for unordered values.
Compare SF Instructions	Compare the contents of <i>src1</i> with the contents of <i>src2</i> . This always produces a false condition. The machine signals an exception for unordered values.
Compare ULE Instructions	Compare the contents of <i>src1</i> with the contents of <i>src2</i> . If <i>src1</i> is less than or equal to <i>src2</i> (or <i>src1</i> is unordered), a true condition results; otherwise, a false condition results. The machine does not signal an exception for unordered values.
Compare UEQ Instructions	Compare the contents of <i>src1</i> with the contents of <i>src2</i> . If <i>src1</i> equals <i>src2</i> (or <i>src1</i> and <i>src2</i> are unordered), a true condition results; otherwise, a false condition results. The machine does not signal an exception for unordered values.

**Table 6-4 (continued)** Floating-Point Relational Instruction Descriptions

Instruction	Description
Compare ULT Instructions	Compare the contents of <i>src1</i> with the contents of <i>src2</i> . If <i>src1</i> is less than <i>src2</i> (or the contents are unordered), a true condition results; otherwise, a false condition results. The machine does not signal an exception for unordered values.
Compare UN Instructions	Compare the contents of <i>src1</i> with the contents of <i>src2</i> . If either <i>src1</i> or <i>src2</i> is unordered, a true condition results; otherwise, a false condition results. The machine does not signal an exception for unordered values.

## Floating-Point Move Formats

The floating-point *move* instructions move data from source to destination registers (only floating-point registers are allowed).

Description	Op-code	Operand
<b>Move FP</b>		
Single	MOV.S	<i>destination,src1</i>
Double	MOV.D	
<b>Move Conditional on FP False</b>		
Single	MOV.F.S	<i>destination,src1, cc</i>
Double	MOV.F.D	
<b>Move Conditional on FP True</b>		
Single	MOV.T.S	<i>destination,src1, cc</i>
Double	MOV.T.D	
<b>Floating-Point Move Conditional on Not Zero</b>		
Single	MOV.N.S	<i>gpr_destination, gpr_src1, gpr</i>
Double	MOV.N.D	
<b>Floating-Point Move Conditional on Zero</b>		

Description	Op-code	Operand
Single	MOVZ.S	gpr_destination, gpr_src1, gpr
Double	MOVZ.D	

### Floating-Point Move Instruction Descriptions

This part of Chapter 6 describes the floating-point *move* instructions.

**Table 6-5** Floating-Point Move Instruction Descriptions

Instruction	Description
Move FP Instructions	Move the double or single-precision contents of <i>src1</i> to the destination register, maintaining the specified precision, if the condition code ( <i>cc</i> ) is zero (MOVF) or is one (MOVT).
Conditional FP Move Instructions	Conditionally, move the double-precision or single-precision contents of <i>src1</i> to the destination register, maintaining the specified precision.
Floating-Point Conditional Move Instructions	Conditionally, move a floating-point value from <i>src1</i> to the destination register if the <i>gpr_register</i> is zero (MOVZ) or not equal to zero (MOVN).

### System Control Coprocessor Instructions

The system control coprocessor (cp0) handles all functions and special and privileged registers for the virtual memory and exception handling subsystems. The system control coprocessor translates addresses from a large virtual address space into the machine's physical memory space. The coprocessor uses a translation lookaside buffer (TLB) to translate virtual addresses to physical addresses.

### System Control Coprocessor Instruction Formats

These coprocessor system control instructions do not have operands.

Description	Op-code
Cache**	CACHE

Description	Op-code
Translation Lookaside Buffer Probe	TLBP
Translation Lookaside Buffer Read	TLBR
Translation Lookaside Buffer Write Random	TLBWR
Translation Lookaside Write Index	TLBWI
Synchronize*	SYNC

\* Not valid in MIPS1 architectures.

\*\* Not valid in MIPS1 and MIPS2 architectures.

## System Control Coprocessor Instruction Descriptions

This part of Chapter 6 describes the system control coprocessor instructions.

**Table 6-6** System Control Coprocessor Instruction Descriptions

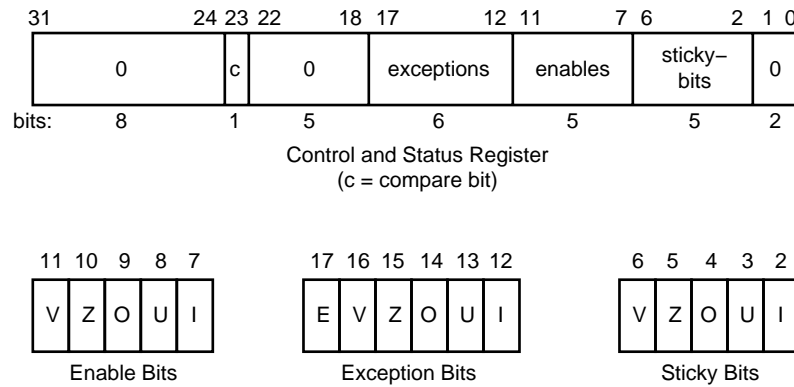
Instruction	Description
Cache (CACHE) **	Cache is the R4000 instruction to perform cache operations. The 16-bit offset is sign-extended and added to the contents of general register base to form a virtual address. The virtual address is translated to a physical address using the TLB. The 5-bit sub-opcode (“op”) specifies the cache operation for that address. Part of the virtual address is used to specify the cache block for the operation. Possible operations include invalidating a cache block, writeback to a secondary cache or memory, etc. ** This instruction is not valid in MIPS1 or MIPS2 architectures.
Translation Lookaside Buffer Probe (TLBP)	Probes the translation lookaside buffer (TLB) to see if the TLB has an entry that matches the contents of the EntryHi register. If a match occurs, the machine loads the Index register with the number of the entry that matches the EntryHi register. If no TLB entry matches, the machine sets the high-order bit of the Index register.

**Table 6-6 (continued)** System Control Coprocessor Instruction Descriptions

Instruction	Description
Translation Lookaside Buffer Read (TLBR)	Loads the EntryHi and EntryLo registers with the contents of the translation lookaside buffer (TLB) entry specified in the TLB Index register.
Translation Lookaside BufferWrite Random (TLBWR)	Loads the specified translation lookaside buffer (TLB) entry with the contents of the EntryHi and EntryLo registers. The contents of the TLB Random register specify the TLB entry to be loaded.
Translation Lookaside Buffer Write Index (TLBWI)	Loads the specified translation lookaside buffer (TLB) entry with the contents of the EntryHI and EntryLO registers. The contents of the TLB Index register specify the TLB entry to be loaded.
Synchronize (SYNC) *	Ensures that all loads and stores fetched before the sync are completed, before allowing any following loads or stores. Use of sync to serialize certain memory references may be required in multiprocessor environments. * This instruction is not valid in the MIPS1 architecture.

### Control and Status Register

Floating-point coprocessor control register 31 contains status and control information. See Figure 6-2. It controls the arithmetic rounding mode and the enabling of user-level traps, and indicates exceptions that occurred in the most recently executed instruction, and any exceptions that may have occurred without being trapped:



**Figure 6-2** Floating Control and Status Register 31

The exception bits are set for instructions that cause an IEEE standard exception or an optional exception used to emulate some of the more hardware-intensive features of the IEEE standard.

The exception field is loaded as a side-effect of each floating-point operation (excluding loads, stores, and unformatted moves). The exceptions which were caused by the immediately previous floating-point operation can be determined by reading the exception field.

The meaning of each bit in the exception field is given below. If two exceptions occur together on one instruction, the field will contain the inclusive-OR of the bits for each exception:

Exception Field Bit	Description
E	Unimplemented Operation
I	Inexact Exception
O	Overflow Exception
U	Underflow Exception
V	Invalid Operation
Z	Division-by-Zero

The unimplemented operation exception is normally invisible to user-level code. It is provided to maintain IEEE compatibility for non-standard implementations.

The five IEEE standard exceptions are listed below:

Field	Description
I	Inexact Exception
O	Overflow Exception
U	Underflow Exception
V	Invalid Operationz
Z	Division-by-Zero

Each of the five exceptions is associated with a trap under user control, which is enabled by setting one of the five bits of the enable field, shown above.

When an exception occurs, both the corresponding exception and status bits are set. If the corresponding enable flag bit is set, a trap is taken. In some cases the result of an operation is different if a trap is enabled.

The status flags are never cleared as a side effect of floating-point operations, but may be set or cleared by writing a new value into the status register, using a “move to coprocessor control” instruction.

The floating-point compare instruction places the condition which was detected into the ‘c’ bit of the control and status register, so that the state of the condition line may be saved and restored. The ‘c’ bit is set if the condition is true, and cleared if the condition is false, and is affected only by compare and move to control register instructions.

### Exception Trap Processing

For each IEEE standard exception, a status flag is provided that is set on any occurrence of the corresponding exception condition with no corresponding exception trap signaled. It may be reset by writing a new value into the status register. The flags may be saved and restored individually, or as a group, by software. When no exception trap is signaled, a default action is taken by the floating-point coprocessor, which provides a substitute value for the original, exceptional, result of the floating-point operation. The default action taken depends on the type of exception, and in the case of the Overflow exception, the current rounding mode.

### Invalid Operation Exception

The invalid operation exception is signaled if one or both of the operands are invalid for an implemented operation. The result, when the exception occurs without a trap, is a quiet NaN when the destination has a floating-point format, and is indeterminate if the result has a fixed-point format. The invalid operations are:

- Addition or subtraction: magnitude subtraction of infinities, such as  $(+1) - (-1)$ .
- Multiplication: 0 times 1, with any signs.
- Division: 0 over 0 or 1 over 1, with any signs.
- Square root of  $x$ : where  $x$  is less than zero.
- Conversion of a floating-point number to a fixed-point format when an overflow, or operand value of infinity or NaN, precludes a faithful representation in that format.
- Comparison of predicates involving  $<$  or  $>$  without  $?$ , when the operands are “unordered”.
- Any operation on a signaling NaN.

Software may simulate this exception for other operations that are invalid for the given source operands. Examples of these operations include IEEE-specified functions implemented in software, such as Remainder:  $x \text{ REM } y$ , where  $y$  is zero or  $x$  is infinite; conversion of a floating-point number to a decimal format whose value causes an overflow or is infinity or NaN; and transcendental functions, such as  $\ln(-5)$  or  $\cos^{-1}(3)$ .

### Division-by-zero Exception

The division by zero exception is signaled on an implemented divide operation if the divisor is zero and the dividend is a finite nonzero number. The result, when no trap occurs, is a correctly signed infinity.

If division by zero traps are enabled, the result register is not modified, and the source registers are preserved.

Software may simulate this exception for other operations that produce a signed infinity, such as  $\ln(0)$ ,  $\sec(\pi/2)$ ,  $\csc(0)$  or  $0^{-1}$ .

### **Overflow Exception**

The overflow exception is signaled when what would have been the magnitude of the rounded floating-point result, were the exponent range unbounded, is larger than the destination format's largest finite number. The result, when no trap occurs, is determined by the rounding mode and the sign of the intermediate result.

If overflow traps are enabled, the result register is not modified, and the source registers are preserved.

### Underflow Exception

Two related events contribute to underflow. One is the creation of a tiny non-zero result between  $2^{Emin}$  (minimum expressible exponent) which, because it is tiny, may cause some other exception later. The other is extraordinary loss of accuracy during the approximation of such tiny numbers by denormalized numbers.

The IEEE standard permits a choice in how these events are detected, but requires that they must be detected the same way for all operations.

The IEEE standard specifies that “tininess” may be detected either: “after rounding” (when a nonzero result computed as though the exponent range were unbounded would lie strictly between  $2^{Emin}$ ), or “before rounding” (when a nonzero result computed as though the exponent range and the precision were unbounded would lie strictly between  $2^{Emin}$ ). The architecture requires that tininess be detected after rounding.

Loss of accuracy may be detected as either “denormalization loss” (when the delivered result differs from what would have been computed if the exponent range were unbounded), or “inexact result” (when the delivered result differs from what would have been computed if the exponent range and precision were both unbounded). The architecture requires that loss of accuracy be detected as inexact result.

When an underflow trap is not enabled, underflow is signaled (via the underflow flag) only when both tininess and loss of accuracy have been detected. The delivered result might be zero, denormalized, or  $2^{Emin}$ . When an underflow trap is enabled, underflow is signaled when tininess is detected regardless of loss of accuracy.

If underflow traps are enabled, the result register is not modified, and the source registers are preserved.

### Inexact Exception

If the rounded result of an operation is not exact or if it overflows without an overflow trap, then the inexact exception is signaled. The rounded or overflowed result is delivered to the destination register, when no inexact trap occurs. If inexact exception traps are enabled, the result register is not modified, and the source registers are preserved.

### Unimplemented Operation Exception

If an operation is specified that the hardware may not perform, due to an implementation restriction on the supported operations or supported formats, an unimplemented operation exception may be signaled, which always causes a trap, for which there are no corresponding enable or flag bits. The trap cannot be disabled.

This exception is raised at the execution of the unimplemented instruction. The instruction may be emulated in software, possibly using implemented floating-point unit instructions to accomplish the emulation. Normal instruction execution may then be restarted.

This exception is also raised when an attempt is made to execute an instruction with an operation code or format code which has been reserved for future architectural definition. The unimplemented instruction trap is not optional, since the current definition contains codes of this kind.

This exception may be signaled when unusual operands or result conditions are detected, for which the implemented hardware cannot handle the condition properly. These may include (but are not limited to), denormalized operands or results, NaN operands, trapped overflow or underflow conditions. The use of this exception for such conditions is optional.

### Floating-Point Rounding

Bits 0 and 1 of the coprocessor control register 31 sets the rounding mode for floating-point. The machine allows four rounding modes:

- **Round to nearest** rounds the result to the nearest representable value. When the two nearest representable values are equally near, this mode rounds to the value with the least significant bit zero. To select this mode, set bits 1..0 of control register 31 to 0.
- **Round toward zero** rounds toward zero. It rounds to the value that is closest to and not greater in magnitude than the infinitely precise result. To select this mode, set bits 1..0 of control register 31 to 1.

- **Round toward positive infinity** rounds to the value that is closest to and not less than the infinitely precise result. To select this mode, set bits 1..0 of control register 31 to 2.
- **Round toward negative infinity** rounds toward negative infinity. It rounds to the value that is closest to and not greater than the infinitely precise result. To select this mode, set bits 1..0 of control register 31 to 3.

To set the rounding mode:

```
/* setting the rounding mode */
RoundNearest = 0x0
RoundZero = 0x1
RoundPosInf = 0x2
RoundNegInf = 0x3
    cfc1 rt2, $31          # move from coprocessor 1
    and rt, 0xffffffffc  # zero the round mode bits
    or rt, RoundZero     # set mask as round to zero
    ctcl rt, $f31        # move to coprocessor 1
```



---

## Linkage Conventions

This chapter gives rules and examples to follow when designing an assembly language program. The chapter includes a “learn by doing” section that contains information about how calling sequences work. This involves writing a skeleton version of your prospective assembly routine using a high level language, and then compiling it with the `-S` option to generate a human-readable assembly language file. The assembly language file can then be used as the starting point for coding your routine.

This assembler works in either 32-bit, high performance 32-bit (N32) or 64-bit compilation modes. While these modes are very similar, due to the difference in data, register and address sizes, the N32 and 64-bit assembler linkage conventions are not always the same as those for 32-bit mode. For details on some of these differences, see the *MIPSpro 64-bit Porting and Transition Guide* and *MIPSpro N32 ABI Guide*.

The procedures and examples in this chapter, for the most part, describe 32-bit compilation mode. In some cases, specific differences necessitated by 64-bit mode are highlighted.

### Introduction

When you write assembly language routines, you should follow the same calling conventions that the compilers observe, for two reasons:

- Often your code must interact with compiler-generated code, accepting and returning arguments or accessing shared global data.
- The symbolic debugger gives better assistance in debugging programs using standard calling conventions.

The conventions for the compiler system are a bit more complicated than some, mostly to enhance the speed of each procedure call. Specifically:

- The compilers use the full, general calling sequence only when necessary; where possible, they omit unneeded portions of it. For example, the compilers don't use a register as a frame pointer whenever possible.
- The compilers and debugger observe certain implicit rules rather than communicating via instructions or data at execution time. For example, the debugger looks at information placed in the symbol table by a ".frame" directive at compilation time, so that it can tolerate the lack of a register containing a frame pointer at execution time.

## Program Design

This section describes three general areas of concern to the assembly language programmer:

- Usable and restricted registers.
- Stack frame requirements on entering and exiting a routine.
- The "shape" of data (scalars, arrays, records, sets) laid out by the various high level languages.

### Register Use and Linkage

The main processor has 32 integer registers. They are each 32-bit wide in MIPS1 and MIPS2 architectures. In MIPS3 and later architecture, each register is 64 bits wide. The uses and restrictions of these registers are described in Table 1-1 and Table 1-2 in Chapter 1.

The floating point coprocessor has 16 floating-point registers. Each register can hold either a single precision (32 bit) or a double precision (64 bit) value. All references to the 32-bit versions of these registers use an even register number (e.g., *\$f4*). Table 1-4 and Table 1-5 list the floating point registers and describe their use.

### The Stack Frame

This discussion of the stack frame, particularly regarding the graphics, describes 32-bit operations. In 32-bit mode, restrictions such as stack addressing are enforced strictly. While these restrictions are not enforced rigidly for 64-bit stack frame usage, their

observance is probably still a good coding practice, especially if you count on reliable debugging information.

The compilers classify each routine into one of the following categories:

- Non-leaf routines, that is, routines that call other procedures.
- Leaf routines, that is, routines that do not themselves execute any procedure calls. Leaf routines are of two types:
  - Leaf routines that require stack storage for local variables
  - Leaf routines that do not require stack storage for local variables.

You must decide the routine category before determining the calling sequence.

To write a program with proper stack frame usage and debugging capabilities, use the following procedure:

1. Regardless of the type of routine, you should include a `.ent` pseudo-op and an entry label for the procedure. The `.ent` pseudo-op is for use by the debugger, and the entry label is the procedure name. The syntax is:

```
.ent    procedure_name
procedure_name:
```

2. If you are writing a leaf procedure that does not use the stack, skip to step 3. For leaf procedure that uses the stack or non-leaf procedures, you must allocate all the stack space that the routine requires. The syntax to adjust the stack size is:

```
subu    $sp,framesize
```

where *framesize* is the size of frame required; *framesize* **must** be a multiple of 16. Space must be allocated for:

- Local variables.
- Saved general registers. Space should be allocated only for those registers saved. For non-leaf procedures, you must save `$31`, which is used in the calls to other procedures from this routine. If you use registers `$16–$23`, you must also save them.
- Saved floating-point registers. Space should be allocated only for those registers saved. If you use registers `$f20–$f30` (for 32-bit) or `$f24–$f31` (for 64-bit), you must also save them.
- Procedure call argument area. You must allocate the maximum number of bytes for arguments of any procedure that you call from this routine.

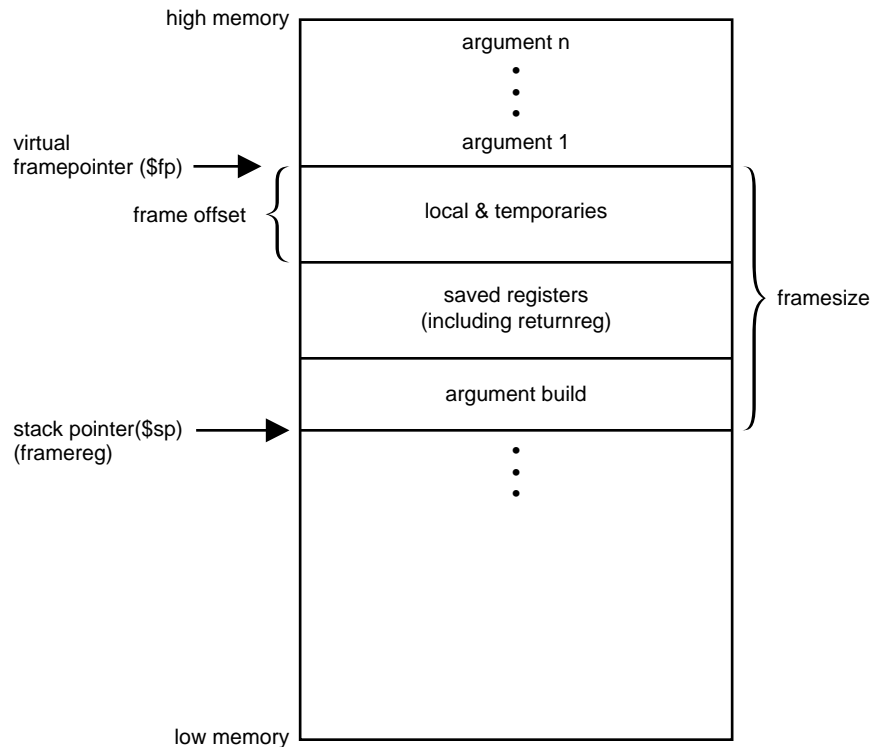
**Note:** Once you have modified *\$sp*, you should not modify it again for the rest of the routine.

- Now include a *.frame* pseudo-op:

```
.frame    framereg,framesize,returnreg
```

The virtual frame pointer is a frame pointer as used in other compiler systems but has no register allocated for it. It consists of the *framereg* (*\$sp*, in most cases) added to the *framesize* (see step 2 above). Figure 7-1 illustrates the stack components.

The *returnreg* specifies the register containing the return address (usually *\$31*). These usual values may change if you use a varying stack pointer or are specifying a kernel trap routine.



**Figure 7-1** Stack Organization

- If the procedure is a leaf procedure that does not use the stack, skip to step 7. Otherwise you must save the registers you allocated space for in step 2.

To save the general registers, use the following operations:

```
.mask    bitmask,frameoffset  
sw reg,framesize+frameoffset-N($sp)
```

The **.mask** directive specifies the registers to be stored and where they are stored. A bit should be on in *bitmask* for each register saved (for example, if register *\$31* is saved, bit 31 should be '1' in *bitmask*. Bits are set in *bitmask* in little-endian order, even if the machine configuration is big-endian). The *frameoffset* is the offset from the virtual frame pointer (this number is usually negative). *N* should be 0 for the highest numbered register saved and then incremented by four for each subsequently lower numbered register saved. For example:

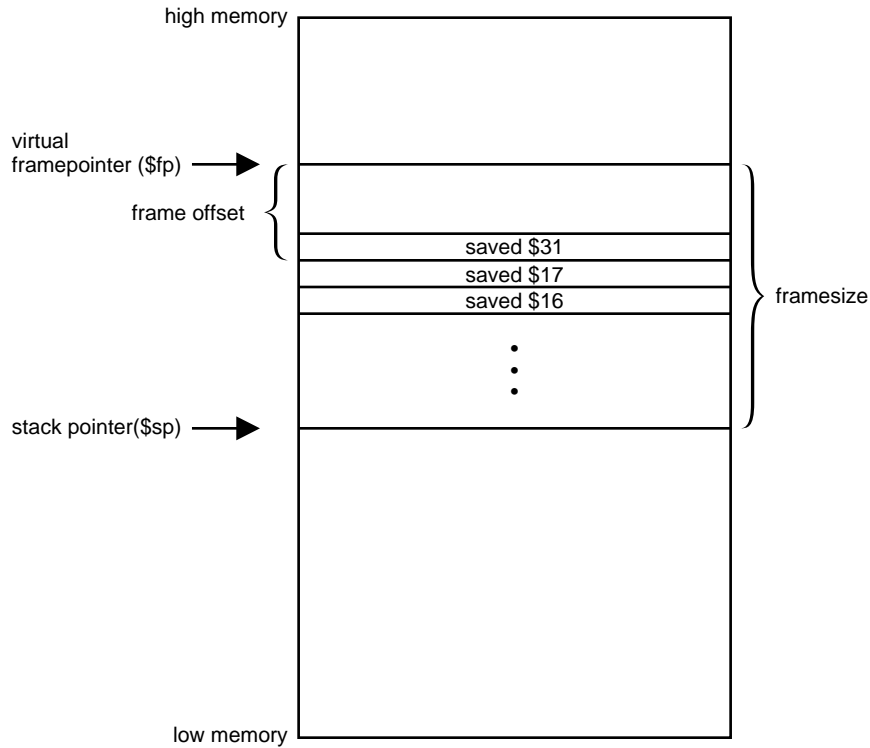
```
sw    $31,framesize+frameoffset($sp)  
sw    $17,framesize+frameoffset-4($sp)  
sw    $16,framesize+frameoffset-16($sp)
```

Figure 7-2 illustrates this example.

Now save any floating-point registers that you allocated space for in step 2 as follows:

```
.fmask    bitmask,frameoffsets.[sd]  
reg,framesize+frameoffset-N($sp)
```

Notice that saving floating-point registers is identical to saving general registers except we use the *.fmask* pseudo-op instead of *.mask*, and the stores are of floating-point singles or doubles. The discussion regarding saving general registers applies here as well, but remember that *N* should be incremented by 16 for doubles. The stack framesize **must** be a multiple of 16.



**Figure 7-2** Stack Example

5. This step describes parameter passing: how to access arguments passed into your routine and passing arguments correctly to other procedures. For information on high-level language-specific constructs (call-by-name, call-by-value, string or structure passing), refer to the *MIPSpro Compiling, Debugging and Performance Tuning Guide*.

As specified in step 2, space must be allocated on the stack for all arguments even though they may be passed in registers. This provides a saving area if their registers are needed for other variables.

General registers must be used for passing arguments. For 32-bit compilations, general registers \$4–\$7 and float registers \$f12, \$f14 are used for passing the first four arguments (if possible). You must allocate a pair of registers (even if it’s a single precision argument) that start with an even register for floating-point arguments appearing in registers.

For 64-bit compilations, general registers \$4–\$11 and float registers \$f12, through \$f19 are used for passing the first eight arguments (if possible).

In Table 7-1 and Table 7-2, the “fN” arguments are considered single- and double-precision floating-point arguments, and “nN” arguments are everything else. The ellipses (...) mean that the rest of the arguments do not go in registers regardless of their type. The “stack” assignment means that you do not put this argument in a register. The register assignments occur in the order shown in order to satisfy optimizing compiler protocols:

**Table 7-1** Parameter Passing (32-Bit)

Argument List	Register and Stack Assignments
f1, f2	\$f12, \$f14
f1, n1, f2	\$f12, \$6, stack
f1, n1, n2	\$f12, \$6 \$7
n1, n2, n3, n4	\$4, \$5, \$6, \$7
n1, n2, n3, f1	\$4, \$5, \$6, stack
n1, n2, f1	\$4, \$5, (\$6, \$6)
n1, f1	\$4, (\$6, \$7)

**Table 7-2** Parameter Passing (64-Bit)

Argument List	Register and Stack Assignments
d1,d2	\$f12, \$f13
s1,s2	\$f12, \$f13
s1,d1	\$f12, \$f13
d1,s1	\$f12, \$f13
n1,d1	\$4,\$f13
d1,n1,d1	\$f12, \$5,\$f14
n1,n2,d1	\$4, \$5,\$f14
d1,n1,n2	\$f12, \$5,\$6

**Table 7-2 (continued)** Parameter Passing (64-Bit)

Argument List	Register and Stack Assignments
s1,n1,n2	\$f12, \$5,\$6
d1,s1,s2	\$f12, \$f13, \$f14
s1,s2,d1	\$f12, \$f13, \$f14
n1,n2,n3,n4	\$4,\$5,\$6,\$7
n1,n2,n3,d1	\$4,\$5,\$6,\$f15
n1,n2,n3,s1	\$4,\$5,\$6, \$f15
s1,s2,s3,s4	\$f12, \$f13,\$f14,\$f15
s1,n1,s2,n2	\$f12, \$5,\$f14,\$7
n1,s1,n2,s2	\$4,\$f13,\$6,\$f15
n1,s1,n2,n3	\$4,\$f13,\$6,\$7
d1,d2,d3,d4,d5	\$f12, \$f13, \$f14, \$f15, \$f16
d1,d2,d3,d4,d5,s1,s2,s3,s4	\$f12, \$f13, \$f14, \$f15, \$f16, \$f17, \$f18,\$f19,stack
d1,d2,d3,s1,s2,s3,n1,n2,n3	\$f12, \$f13, \$f14, \$f15, \$f16, \$f17, \$10,\$11, stack

- Next, you must restore registers that were saved in step 4. To restore general purpose registers:

```
lw reg,framesize+frameoffset-N($sp)
```

To restore the floating-point registers:

```
l.[sd] reg,framesize+frameoffset-N($sp)
```

Refer to step 4 for a discussion of the value of *N*.)

- Get the return address:

```
lw $31,framesize+frameoffset($sp)
```

- Clean up the stack:

```
addu framesize
```

- Return:

```
j $31
```

10. To end the procedure:

```
.end procedurename
```

The difference in stack frame usage for 64-bit operations can be summarized as follows

The portion of the argument structure beyond the initial eight doublewords is passed in memory on the stack, pointed to by the stack pointer at the time of call. The caller does not reserve space for the register arguments; the callee is responsible for reserving it if required (either adjacent to any caller-saved stack arguments if required, or elsewhere as appropriate). No requirement is placed on the callee either to allocate space and save the register parameters, or to save them in any particular place.

## The Shape of Data

In most cases, high-level language routine and assembly routines communicate via simple variables: pointers, integers, booleans, and single- and double-precision real numbers. Describing the details of the various high-level data structures (arrays, records, sets, and so on) is beyond our scope here. If you need to access such a structure as an argument or as a shared global variable, refer to the *MIPSpro Compiling, Debugging and Performance Tuning Guide*.

## Examples

This section contains the examples that illustrate program design rules. Each example shows a procedure written in C and its equivalent written in assembly language.

The following example shows a non-leaf procedure. Notice that it creates a stackframe, and also saves its return address since it must put a new return address into register \$31 when it invokes its callee:

```
float
nonleaf(i, j)
    int i, *j;
    {
    double atof();
    int temp;

    temp = i - *j;
    if (i < *j) temp = -temp;
```

```

return atof(temp);
}
        .globl      nonleaf
#  1  float
#  2  nonleaf(i, j)
#  3      int i, *j;
#  4      {
        .ent      nonleaf 2
nonleaf:
        subu      $sp, 24      ## Create stackframe
        sw        $31, 20($sp) ## Save the return
                                ## address
        .mask      0x80000000, -4
        .frame    $sp, 24, $31
#  5      double atof();
#  6      int temp;
#  7
#  8      temp = i - *j;
        lw        $2, 0($5)    ## Arguments are in
                                ## $4 and $5
        subu      $3, $4, $2
#  9      if (i < *j) temp = -temp;
        bge      $4, $2, $32   ## Note: $32 is a label,
                                ## not a reg
        negu      $3, $3
$32:
# 10      return atof(temp);
        move      $4, $3
        jal      atof
        cvt.s.    $f0, $f0      ## Return value goes in $f0
        lw        $31, 20($sp) ## Restore return address
        addu      $sp, 24      ## Delete stackframe
        j        $31          ## Return to caller
        .end      nonleaf

```

This example shows a leaf procedure that does not require stack space for local variables. Notice that it creates no stackframe, and saves no return address.

```

int
leaf(p1, p2)
    int p1, p2;
    {
    return (p1 > p2) ? p1 : p2;
    }
        .globl      leaf

```

```

# 1      int
# 2      leaf(p1, p2)
# 3      int p1, p2;
# 4      {
        .ent          leaf2
leaf:
        .frame       $sp, 0, $31
# 5      return (p1 > p2) ? p1 : p2;
        ble          $4, $5, $32    ## Arguments in
                                   ## $4 and $5
        move         $3, $4
        b            $33
$32:
        move         $3, $5
$33:
        move         $2, $3         ## Return value
                                   ## goes in $2
        j            $31           ## Return to
                                   ## caller
# 6      }
        .end        leaf

```

The next example shows a leaf procedure that requires stack space for local variables. Notice that it creates a stack frame, but does not save a return address.

```

char
leaf_storage(i)
  int i;
  {
  char a[16];
  int j;
  for (j = 0; j < 10; j++)
    a[j] = '0' + j;
  for (j = 10; j < 16; j++)
    a[j] = 'a' + j;
  return a[i];
  }

# 1      .global      leaf_storage
# 2      char
# 3      leaf_storage(i)
# 4      int i;
# 5      {
        .ent          leaf_storage 2 ## "2" is the
                                   ## lexical level

```

```

                                                    ## of the
                                                    ## procedure.You
                                                    ## may omit i.

leaf_storage:
    subu            $sp, 24                ## Create
                                                    ## stackframe.

    .frame         $sp, 24, $31

    # 5            char a[16];
    # 6            int j;
    # 7
    # 8            for (j = 0; j < 10; j++)
    sw             $0, 4($sp)
    addu           $3, $sp, 24

$32:
    # 9            a[j] = '0' + j;
    lw             $14, 4($sp)
    addu           $15, $14, 48
    addu           $24, $3, $14
    sb             $15, -16($24)
    lw             $25, 4($sp)
    addu           $8, $25, 1
    sw             $8, 4($sp)
    blt            $8, 10, $32

    # 10           for (j = 10; j < 16; j++)
    li             $9, 10
    sw             $9, 4($sp)

$33:
    # 11           a[j] = 'a' + j;
    lw             $10, 4($sp)
    addu           $11, $10, 97
    addu           $12, $3, $10
    sb             $11, -16($12)
    lw             $13, 4($sp)
    addu           $14, $13, 1
    sw             $14, 4($sp)
    blt            $14, 16, $33

```

```
# 12      return a[i];
          addu      $15, $3, $4      ## Argument is
          ## in $4.
          lbu       $2, -16($15)    ## Return value
          ## goes in $
          addu      $sp, 24         ## Delete
          ## stackframe
          j         $31             ## Return to
          ## caller.
          .end      leaf_storage
```

## Learning by Doing

The rules and parameter requirements that exist between assembly language and other languages are varied and complex. The simplest approach to coding an interface between an assembly routine and a routine written in a high-level language is to do the following:

- Use the high-level language to write a skeletal version of the routine that you plan to code in assembly language.
- Compile the program using the `-S` option, which creates an assembly language (`.s`) version of the compiled source file (the `-O` option, though not required, reduces the amount of code generated, making the listing easier to read).
- Study the assembly-language listing and then, imitating the rules and conventions used by the compiler, write your assembly language code.



---

## Pseudo Op-Codes

This chapter describes pseudo op-codes (directives). These pseudo op-codes influence the assembler's later behavior. In the text, boldface type specifies a keyword and italics represents an operand that you define.

The assembler has the pseudo op-codes listed in Table 8-1.

**Table 8-1** Pseudo Op-Codes

Pseudo-Op	Description
<b>.2byte</b> <i>expression1</i> [ , <i>expression2</i> ] ... [ , <i>expressionN</i> ]*	Truncates the expressions in the comma-separated list to 16-bit values and assembles the values in successive locations. The <i>expressions</i> must be absolute or in the form of a label difference ( <i>label1</i> - <i>label2</i> ) if both labels are defined in the same section.  This directive optionally can have the form <i>expression1</i> [ : <i>expression2</i> ]. The <i>expression2</i> replicates <i>expression1</i> 's value <i>expression2</i> times.  This directive does no automatic alignment. (*64-bit and N32 only)
<b>.4byte</b> <i>expression1</i> [ , <i>expression2</i> ] ... [ , <i>expressionN</i> ]*	Truncates the expressions in the comma-separated list to 32-bit values and assembles the values in successive locations. The <i>expressions</i> must be absolute or in the form of a label difference ( <i>label1</i> - <i>label2</i> ) if both labels are defined in the same section.  This directive optionally can have the form <i>expression1</i> [ : <i>expression2</i> ]. The <i>expression2</i> replicates <i>expression1</i> 's value <i>expression2</i> times.  This directive does no automatic alignment. (*64-bit and N32 only)

**Table 8-1 (continued)** Pseudo Op-Codes

Pseudo-Op	Description
<b>.8byte</b> <i>expression1</i> [ , <i>expression2</i> ] ... [ , <i>expressionN</i> ]*	Truncates the expressions in the comma-separated list to 64-bit values and assembles the values in successive locations. The <i>expressions</i> must be absolute or in the form of a label difference ( <i>label1</i> - <i>label2</i> ) if both labels are defined in the same section.  This directive optionally can have the form <i>expression1</i> [ : <i>expression2</i> ]. The <i>expression2</i> replicates <i>expression1</i> 's value <i>expression2</i> times. This directive does no automatic alignment. (*64-bit and N32 only)
<b>.aent</b> <i>name, symno</i>	Sets an alternate entry point for the current procedure. Use this information when you want to generate information for the debugger. It must appear inside an <i>.ent/.end</i> pair.
<b>.alias</b> <i>reg1, reg2</i> *	Indicates that memory reference through the two registers ( <i>reg1, reg2</i> ) will overlap. The compiler uses this form to improve instruction scheduling. (32-bit only.)
<b>.align</b> <i>expression</i>	Advances the location counter to make the <i>expression</i> low order bits of the counter zero. Normally, the <i>.half, .word, .float,</i> and <i>.double</i> directives automatically align their data appropriately. For example, <i>.word</i> does an implicit <i>.align 2</i> ( <i>.double</i> does an <i>.align 3</i> ). You disable the automatic alignment feature with <i>.align 0</i> . The assembler reinstates automatic alignment at the next <i>.text, .data, .rdata,</i> or <i>.sdata</i> directive.  Labels immediately preceding an automatic or explicit alignment are also realigned. For example, <i>foo: .align 3; .word 0</i> is the same as <i>.align 3; foo: .word 0</i> .

---

---

**Table 8-1 (continued)** Pseudo Op-Codes

Pseudo-Op	Description
<b>.ascii</b> <i>string</i> [, <i>string</i> ]...	Assembles each <i>string</i> from the list into successive locations. The <i>.ascii</i> directive does not null pad the string. You MUST put quotation marks (") around each string. You can use the backslash escape characters. For a list of the backslash characters, see Chapter 4.
<b>.asciiz</b> <i>string</i> [, <i>string</i> ]...	Assembles each <i>string</i> in the list into successive locations and adds a null. You can use the backslash escape characters. For a list of the backslash characters, see Chapter 4.
<b>.asm0</b> *	Tells the assembler's second pass that this assembly came from the first pass. For use by compilers) (*32-bit only.)
<b>.bgnb</b> <i>symno</i> *	Sets the beginning of a language block. For use by compilers. The <i>.bgnb</i> and <i>.endb</i> directives delimit the scope of a variable set. The scope can be an entire procedure, or it can be a nested scope (for example a "{}" block in the C language). The symbol number <i>symno</i> refers to a dense number in a <i>.T</i> file. For an explanation of <i>.T</i> files, see the <i>MIPSpro Compiling, Debugging and Performance Tuning Guide</i> . To set the end of a language block, see <i>.endb</i> . (*32-bit only.)
<b>.byte</b> <i>expression1</i> [, <i>expression2</i> ] ... [, <i>expressionN</i> ]	Truncates the expressions from the comma-separated list to 8-bit values, and assembles the values in successive locations. The <i>expressions</i> must be absolute. The operands can optionally have the form: <i>expression1</i> [: <i>expression2</i> ]. The <i>expression2</i> replicates <i>expression1</i> 's value <i>expression2</i> times.

---

**Table 8-1 (continued)** Pseudo Op-Codes

Pseudo-Op	Description
<b>.comm</b> <i>name, expression [alignment]</i>	Unless defined elsewhere, <i>name</i> becomes a global common symbol at the head of a block of <i>expression</i> bytes of storage. The linker overlays like-named common blocks, using the maximum of the <i>expressions</i> . The 64-bit and N32 assembler also accepts an optional value which specifies the alignment of the symbol.
<b>.cpadd</b> <i>reg</i>	Emits code that adds the value of “_gp” to <i>reg</i> .
<b>.cpload</b> <i>reg</i>	Expands into the three instructions function prologue that sets up the <i>\$gp</i> register. This directive is used by position-independent code.
<b>.cplocal</b> <i>reg*</i>	Causes the assembler to use <i>reg</i> instead of <i>\$gp</i> as the context pointer. This directive is used by position-independent code. (*64-bit and N32 only)
<b>.cprestore</b> <i>offset</i>	Causes the assembler to emit the following at the point where it occurs: sw <i>\$gp</i> , <i>offset</i> ( <i>\$sp</i> ) Also, causes the assembler to generate: lw <i>\$gp</i> , <i>offset</i> ( <i>\$sp</i> ) after every JAL or BAL operation. Offset should point to the saved register area as described in Chapter 7. This directive is used by position-independent code following the caller saved gp convention.
<b>.cpreturn*</b>	Causes the assembler to emit the following at the point where it occurs: ld <i>\$gp</i> , <i>offset</i> ( <i>\$sp</i> ) The <i>offset</i> is obtained from the previous <b>.cpsetup</b> pseudo-op. (*64-bit and N32 only)

---

**Table 8-1 (continued)** Pseudo Op-Codes

Pseudo-Op	Description
<b>.cpsetup</b> <i>reg1</i> , { <i>offset</i>   <i>reg2</i> }, <i>label</i> *	Causes the assembler to emit the following at the point where it occurs: sd \$gp, offset (\$sp) lui \$gp, 0 { label } daddiu \$gp, \$gp, 0 { label } daddu \$gp, \$gp, <i>reg1</i> ld \$gp, offset (\$sp) This sequence is used by position-independent code following the callee saved gp convention. It stores \$gp in the saved register area and calculates the virtual address of <i>label</i> and places it in <i>reg1</i> . By convention, <i>reg1</i> is \$25 ( <i>t9</i> ). If <i>reg2</i> is used instead of <i>offset</i> , \$gp is saved and restored to and from this register. (*64-bit and N32 only)
<b>.data</b>	Tells the assembler to add all subsequent data to the data section.
<b>.double</b> <i>expression</i> [, <i>expression2</i> ] ...[, <i>expressionN</i> ]	Initializes memory to 64-bit floating point numbers. The operands optionally can have the form: <i>expression1</i> [ : <i>expression2</i> ]. The <i>expression1</i> is the floating point value. The optional <i>expression2</i> is a non-negative expression that specifies a repetition count. The <i>expression2</i> replicates <i>expression1</i> 's value <i>expression2</i> times. This directive aligns its data and any preceding labels automatically to a double-word boundary. You can disable this feature by using <i>.align 0</i> .

**Table 8-1 (continued)** Pseudo Op-Codes

Pseudo-Op	Description
<b>.dword</b> <i>expression</i> [ , <i>expression2</i> ] ... [ , <i>expressionN</i> ]	Truncates the expressions in the comma-separated list to 64-bits and assembles the values in successive locations. The expressions must be absolute. The operands optionally can have the form: <i>expression1</i> [ <i>:expression2</i> ]. The <i>expression2</i> replicates <i>expression1</i> 's value <i>expression2</i> number of times. The directive aligns its data and preceding labels automatically to a doubleword boundary. You can disable this feature by using <i>.align 0</i> .
<b>.end</b> [ <i>proc_name</i> ]	Sets the end of a procedure. Use this directive when you want to generate information for the debugger. To set the beginning of a procedure, see <i>.ent</i> .
<b>.endb</b> <i>symno</i> *	Sets the end of a language block. To set the beginning of a language block, see <i>.bgnb</i> . (*32-bit only.)
<b>.endr</b>	Signals the end of a repeat block. To start a repeat block, see <i>.repeat</i> .
<b>.ent</b> <i>proc_name</i>	Sets the beginning of the procedure <i>proc_name</i> . Use this directive when you want to generate information for the debugger. To set the end of a procedure, see <i>.end</i> .
<b>.extern</b> <i>name expression</i>	<i>name</i> is a global undefined symbol whose size is assumed to be <i>expression</i> bytes. The advantage of using this directive, instead of permitting an undefined symbol to become global by default, is that the assembler can decide whether to use the economical <i>\$gp</i> -relative addressing mode, depending on the value of the <b>-G</b> option. As a special case, if <i>expression</i> is zero, the assembler refrains from using <i>\$gp</i> to address this symbol regardless of the size specified by <b>-G</b> .

---

**Table 8-1 (continued)** Pseudo Op-Codes

Pseudo-Op	Description
<b>.err*</b>	Signals an error. For use by compilers. Any compiler front-end that detects an error condition puts this directive in the input stream. When the assembler encounters a <i>.err</i> , it quietly ceases to assemble the source file. This prevents the assembler from continuing to process a program that is incorrect. (*32-bit only.)
<b>.file</b> <i>file_number file_name_string</i>	Specifies the source file corresponding to the assembly instructions that follow. For use only by compilers, not by programmers; when the assembler sees this, it refrains from generating line numbers for <i>dbx</i> to use unless it also sees <i>.loc</i> directives.
<b>.float</b> <i>expression1</i> [ , <i>expression2</i> ] ... [ , <i>expressionN</i> ]	Initializes memory to single precision 32-bit floating point numbers. The operands optionally can have the form: <i>expression1</i> [ : <i>expression2</i> ]. The optional <i>expression2</i> is a non-negative expression that specifies a repetition count. This optional form replicates <i>expression1</i> 's value <i>expression2</i> times. This directive aligns its data and preceding labels automatically to a word boundary. You can disable this feature by using <i>.align 0</i> .
<b>.fmask</b> <i>mask offset</i>	Sets a mask with a bit turned on for each floating point register that the current routine saved. The least-significant bit corresponds to register <i>\$f0</i> . The offset is the distance in bytes from the virtual frame pointer at which the floating point registers are saved. The assembler saves higher register numbers closer to the virtual frame pointer. You must use <i>.ent</i> before <i>.fmask</i> and only one <i>.fmask</i> may be used per <i>.ent</i> . Space should be allocated for those registers specified in the <i>.fmask</i> .

---

**Table 8-1 (continued)** Pseudo Op-Codes

Pseudo-Op	Description
<i>.frame frame-register offset return_pc_register</i>	Describes a stack frame. The first register is the frame-register, the offset is the distance from the frame register to the virtual frame pointer, and the second register is the return program counter (or, if the first register is \$0, this directive shows that the return program counter is saved four bytes from the virtual frame pointer). You must use <i>.ent</i> before <i>.frame</i> and only one <i>.frame</i> may be used per <i>.ent</i> . No stack traces can be done in the debugger without <i>.frame</i> .
<i>.globl name</i>	Makes the <i>name</i> external. If the name is defined otherwise (by its appearance as a label), the assembler will export the symbol; otherwise it will import the symbol. In general, the assembler imports undefined symbols (that is, it gives them the UNIX storage class “global undefined” and requires the linker to resolve them).
<i>.gjaldef int_bitmask fp_bitmask*</i>	Sets the masks defining the registers whose value is preserved during a procedure call. For use by compilers. See Table 1-1 for the default for integer saved registers. (*32-bit only.)
<i>.gjallive int_bitmask fp_bitmask*</i>	Sets the default masks for live registers before a procedure call (A JAL instruction). For use by compilers. (*32-bit only.)
<i>.gjrlive int_bitmask fp_bitmask*</i>	Sets the default masks for live registers before a procedure’s return (A JR instruction). For use by compilers. (*32-bit only.)
<i>.gpword local-sym</i>	This directive is similar to <i>.word</i> except that the relocation entry for <i>local-sym</i> has the R_MIPS_GPREL32 type. After linkage, this results in a 32-bit value that is the distance between <i>local-sym</i> and <i>gp</i> . <i>local-sym</i> must be local. This directive is used by the code generator for PIC switch tables.

---

**Table 8-1 (continued)** Pseudo Op-Codes

Pseudo-Op	Description
<b>.half</b> <i>expression1</i> [ , <i>expression2</i> ] ... { <i>expressionN</i> }	Truncates the expressions in the comma-separated list to 16-bit values and assembles the values in successive locations. The <i>expressions</i> must be absolute. This directive optionally can have the form: <i>expression1</i> [ : <i>expression2</i> ]. The <i>expression2</i> replicates <i>expression1</i> 's value <i>expression2</i> times. This directive automatically aligns its data appropriately. You can disable this feature by using <i>.align 0</i> .
<b>.lab</b> <i>label_name</i>	Associates a named label with the current location in the program text. For use by compilers.
<b>.lcomm</b> <i>name, expression</i>	Makes the <i>name</i> 's data type <i>bss</i> . The assembler allocates the named symbol to the <i>bss</i> area, and the expression defines the named symbol's length. If a <i>.globl</i> directive also specifies the name, the assembler allocates the named symbol to external <i>bss</i> . The assembler puts <i>bss</i> symbols in one of two <i>bss</i> areas. If the defined size is smaller than (or equal to) the size specified by the assembler or compiler's <b>-G</b> command line option, the assembler puts the symbols in the <i>sbss</i> area and uses <i>\$gp</i> to address the data.

---

**Table 8-1 (continued)** Pseudo Op-Codes

Pseudo-Op	Description
<i>.livereg int_bitmask fp_bitmask*</i>	<p>Affects the next jump instruction even if it is not the successive instruction. For use by compilers. The <i>.livereg</i> directive may come before any of the following instructions: JAL, JR, and SYSCALL. By default, external J instructions and JR instructions through a register other than <i>\$ra</i>, are treated as external calls; that is; all registers are assumed live. The directive <i>.livereg</i> cannot appear before an external J (it will affect the next JR, JAL, or SYSCALL instead of the J instruction). <i>.livereg</i> may appear before a JR instruction through a register other than <i>\$ra</i>. The directive can't be used before a BREAK instruction. For BREAK instructions, the assembler also assumes all registers are live.</p> <p><i>.livereg</i> notes to the assembler which registers are live before a jump, in order to avoid unsafe optimizations by the reorganizer. The directive <i>.livereg</i> takes two arguments, <i>int_bitmask</i>, and <i>fp_bitmask</i>, which are 32 bit bitmasks with a bit turned on for each register that is live before a jump. The most significant bit corresponds to register <i>\$0</i> (which is opposite to that used in other assembly directives, <i>.mask</i>, <i>.fmask</i>). The first bitmap indicates live integer registers and the second indicates live FPs. (*32-bit only)</p>
<i>.loc file_number line_number [column]</i>	<p>Specifies the source file and the line within that file that corresponds to the assembly instructions that follow. For use by compilers. The assembler ignores the file number when this directive appears in the assembly source file. Then, the assembler assumes that the directive refers to the most recent <i>.file</i> directive. The 64-bit and N32 assembler also supports an optional value that specifies the column number.</p>

---

**Table 8-1 (continued)** Pseudo Op-Codes

Pseudo-Op	Description
<b>.mask</b> <i>mask, offset</i>	Sets a mask with a bit turned on for each general purpose register that the current routine saved. For use by compilers. Bit one corresponds to register \$1. The offset is the distance in bytes from the virtual frame pointer where the registers are saved. The assembler saves higher register numbers closer to the virtual frame pointer. Space should be allocated for those registers appearing in the mask. If bit zero is set it is assumed that space is allocated for all 31 registers regardless of whether they appear in the mask.
<b>nada</b> *	Tells the assembler to put in an instruction that has no effect on the machine state. It has the same effect as <i>nop</i> (described below), but it produces more efficient code on an R8000. (*64-bit and N32 only)
<b>.noalias</b> <i>reg1, reg2</i> *	Register1 and register2, when used as indexed registers to memory will never point to the same memory. The assembler will use this as a hint to make more liberal assumptions about resource dependency in the program. To disable this assumption, see <i>.alias</i> . (*32-bit only.)
<b>nop</b>	Tells the assembler to put in an instruction that has no effect on the machine state. While several instructions cause no-operation, the assembler only considers the ones generated by the <i>nop</i> directive to be wait instructions. This directive puts an explicit delay in the instruction stream.  <b>Note:</b> Unless you use “.set noreorder”, the reorganizer may eliminate unnecessary “nop” instructions.

---

Table 8-1 (continued) Pseudo Op-Codes	
Pseudo-Op	Description
<b>.option</b> <i>options</i>	Tells the assembler that certain options were in effect during compilation. (These options can, for example, limit the assembler's freedom to perform branch optimizations.) This option is intended for compiler-generated <i>.s</i> files rather than for hand-coded ones.
<b>.origin</b> <i>expression</i> *	Specifies the current offset in a section to the value of <i>expression</i> . (*64-bit and N32 only)
<b>.repeat</b> <i>expression</i>	Repeats all instructions or data between the <i>.repeat</i> directive and the <i>.endr</i> directive. The <i>expression</i> defines how many times the data repeats. With the <i>.repeat</i> directive, you cannot use labels, branch instructions, or values that require relocation in the block. To end a <i>.repeat</i> , see <i>.endr</i> .
<b>.rdata</b>	Tells the assembler to add subsequent data into the <i>rdata</i> section.
<b>.sdata</b>	Tells the assembler to add subsequent data to the <i>sdata</i> section.
<b>.section</b> <i>name</i> [, <i>section type</i> , <i>section flags</i> , <i>section entry size</i> , <i>section alignment</i> ]*	<p>Instructs the assembler to create a section with the given name and optional attributes.</p> <p>Legal <i>section type</i> values are denoted by variables prefixed by SHT_ in <i>&lt;elf.h&gt;</i>.</p> <p>Legal <i>section flags</i> values are denoted by variables prefixed by SHF_ in <i>&lt;elf.h&gt;</i>.</p> <p>The <i>section entry size</i> specifies the size of each entry in the section. For example, it is 4 for <i>.text</i> sections.</p> <p>The <i>section alignment</i> specifies the byte boundary requirement for the section. For example, it is 16 for <i>.text</i> sections.</p> <p>(*64-bit and N32 only)</p>

---

**Table 8-1 (continued)** Pseudo Op-Codes

Pseudo-Op	Description
<i>.set option</i>	<p>Instructs the assembler to enable or to disable certain options. Use <i>.set</i> options only for hand-crafted assembly routines. The assembler has these default options: <i>reorder</i>, <i>macro</i>, and <i>at</i>. You can specify only one option for each <i>.set</i> directive. You can specify these <i>.set</i> options:\</p> <p>The <i>reorder</i> option lets the assembler reorder machine language instructions to improve performance. The <i>noreorder</i> option prevents the assembler from reordering machine language instructions. If a machine language instruction violates the hardware pipeline constraints, the assembler issues a warning message.</p> <p>The <i>bopt/nobopt</i> option lets the assembler perform branch optimization. This involves moving an instruction that is the target of a branch or jump instruction into the delay slot; this is performed only if no unpredictable side effects can occur.</p> <p>The <i>macro</i> option lets the assembler generate multiple machine instructions from a single assembler instruction.</p> <p>The <i>nomacro</i> option causes the assembler to print a warning whenever an assembler operation generates more than one machine language instruction. You must select the <i>noreorder</i> option before using the <i>nomacro</i> option; otherwise, an error results.</p>

**Table 8-1 (continued)** Pseudo Op-Codes

Pseudo-Op	Description
<i>.set option</i> (continued)	<p>The <i>at</i> option lets the assembler use the <i>\$at</i> register for macros, but generates warnings if the source program uses <i>\$at</i>. When you use the <i>noat</i> option and an assembler operation requires the <i>\$at</i> register, the assembler issues a warning message; however, the <i>noat</i> option does let source programs use <i>\$at</i> without issuing warnings.</p> <p>The <i>nomove</i> option tells the assembler to mark each subsequent instruction so that it cannot be moved during reorganization. Because the assembler can still insert <i>nop</i> instructions where necessary for pipeline constraints, this option is less stringent than <i>noreorder</i>. The assembler can still move instructions from below the <i>nomove</i> region to fill delay slots above the region or vice versa. The <i>nomove</i> option has part of the effect of the “volatile” C declaration; it prevents otherwise independent loads or stores from occurring in a different order than intended.</p> <p>The <i>move</i> option cancels the effect of <i>nomove</i>.</p> <p>The <i>notransform</i> option tells the assembler to mark each subsequent instruction so that it cannot be transformed by <i>pixie(1)</i>, into an equivalent set of instructions. For an overview of <i>pixie(1)</i> see the <i>MIPSpro Compiling, Debugging, and Performance Tuning Guide</i>.</p> <p>The <i>transform</i> option cancels the effect of <i>notransform</i>.</p>
<i>.size name, expression</i>	Specifies the size of an object denoted by <i>name</i> to the value of <i>expression</i> .

---

---

**Table 8-1 (continued)** Pseudo Op-Codes

Pseudo-Op	Description
<b>.space</b> <i>expression</i>	Advances the location counter by the value of the specified <i>expression</i> bytes. The assembler fills the space with zeros.
<b>.struct</b> <i>expression</i>	This permits you to lay out a structure using labels plus directives like <i>.word</i> , <i>.byte</i> , and so forth. It ends at the next segment directive ( <i>.data</i> , <i>.text</i> , etc.). It does not emit any code or data, but defines the labels within it to have values which are the sum of <i>expression</i> plus their offsets from the <i>.struct</i> itself.
( <i>symbolic equate</i> )	Takes one of these forms: <i>name = expression</i> or <i>name = register</i> . You must define the name only once in the assembly, and you <b>cannot</b> redefine the name. The expression must be computable when you assemble the program, and the expression must involve operators, constants, and equated symbols. You can use the name as a constant in any later statement.
<b>.text</b>	Tells the assembler to add subsequent code to the <i>text</i> section. (This is the default.)
<b>.type</b> <i>name, value</i> *	Specifies the elf type of an object denoted by name to value. Legal elf type values are denoted by variables prefixed by STT_ in <i>&lt;elf.h&gt;</i> . (*64-bit and N32 only)
<b>.verstamp</b> <i>major minor</i>	Specifies the major and minor version numbers (for example, version 0.15 would be <i>.verstamp 0 15</i> ).
<b>.vreg</b> <i>register offset symno</i> *	Describes a register variable by giving the offset from the virtual frame pointer and the symbol number <i>symno</i> (the dense number) of the surrounding procedure. For use by compilers. (*32-bit only.)

---

**Table 8-1 (continued)** Pseudo Op-Codes

Pseudo-Op	Description
<code>.weakext weak_name [strong_name]</code>	Defines a weak external name and optionally associates it with the <i>strong_name</i> .
<code>.word expression1 [, expression2 ] ... [, expressionN]</code>	Truncates the expressions in the comma-separated list to 32-bits and assembles the values in successive locations. The expressions must be absolute. The operands optionally can have the form: <i>expression1</i> [ : <i>expression2</i> ]. The <i>expression2</i> replicates <i>expression1</i> 's value <i>expression2</i> times. This directive aligns its data and preceding labels automatically to a word boundary. You can disable this feature by using <i>.align 0</i> .

---

# Index

## Symbols

(symbolic equate), 121

## A

address

- description, 9
- descriptions, 9
- format, 8

addressing, 7

- alignment, 7

.aent name, symno, 108

.alias, 108

.align, 108

aligned data

- load and store instructions, 8

alignment, 7

- addressing, 7

.ascii, 109

.asciiz, 109

.asm0, 109

assembler, 7

- tokens, 14

## B

.bgnb, 109

branch instructions

- filling delay slots, 27

.byte, 109

## C

.comm, 110

comments, 14

computational instructions, 27, 38

- descriptions - table, 42

constants, 15

- floating point, 16

- scalar, 15

- string, 17

convention

- linkage and register use, 94

conventions

- data types, 23

- expression operators, 22

- expressions, 21

- lexical, 13

- linkage, 93

- precedence, 21

- statements, 19

- coprocessor instruction
  - notation, 65
- coprocessor instruction set, 65
- coprocessor interface instructions, 60
  - description of, 62
- counters
  - sections and locations, 18

**D**

- .data, 111
- data types
  - conventions, 23
- description
  - address, 9
- descriptions
  - load instructions, 31
- division by zero, 87
- .double, 111
- .dword, 112

**E**

- .end, 112
- .endb, 112
- endianness, 1
- .endr, 112
- .ent, 112
- .err, 113
- exception
  - division by zero, 87
  - unimplemented operation, 90
- exceptions, 11
  - floating point, 12
  - main processor, 11

- exception trap processing, 86
- exeption
  - inexact, 89
  - invalid operation, 87
  - overflow, 88
  - trap processing, 86
  - underflow, 89
- expression
  - type propagation, 25
- expression operators, 22
- expressions, 21
  - precedence, 21
- .extern name expression, 112

**F**

- .file, 113
- .float, 113
- floating point
  - computational - description, 73
  - computational - format, 70
  - control register, 84
  - exceptions, 12
  - instruction format, 67
  - instructions, 66
  - load and store, 68
  - move instruction - description of, 82
  - move instructions - format, 81
  - registers, 5
  - relational instruction - description, 79
  - relational instruction formats, 77
  - relational operations, 74
  - rounding, 90
- floating point constants, 16
- .fmask, 113
- format
  - address, 8

formats  
  load and store, 29  
.frame, 114

## G

.galive, 114  
general registers, 1  
.gjaldef, 114  
.gjrlive, 114  
.globl, 114  
-G value  
  link editor, 19

## H

.half, 115

## I

identifiers, 14  
inexact exception, 89  
instructions  
  classes of, 27  
  computational, 38  
  constraints and rules, 27  
  coprocessor interface, 60  
  coprocessor interface - description, 60, 62  
  coprocessor interface format, 61  
  floating point, 66  
  instruction notation, 28  
  jump and branch, 54  
  load and store - unaligned data, 7  
  miscellaneous tasks, 59  
  reorganization rules, 27  
  special, 59

instruction set, 27  
  coprocessor, 65  
invalid operation exception, 87  
issues, 19

## J

jump and branch instructions, 27, 54  
  descriptions, 56  
  formats, 54

## K

keyword statements, 20

## L

.lab, 114, 115  
label definitions  
  statements, 20  
.lcomm, 115  
leaf routines, 95  
lexical conventions, 13  
linkage  
  conventions, 93  
  program design, 94  
  register use, 94  
link editor  
  -G option, 19  
.livereg, 116  
load, 7  
load and store  
  floating point, 68  
load and store instructions  
  formats, 29

## load instructions

- delayed, 27
  - description, 31
  - lb (load byte), 8
  - lbu (load byte unsigned), 8
  - lh (load halfword), 8
  - lhu (load halfword unsigned), 8
  - lw (load word), 8
  - lwl (load word left), 7
  - lwr (load word right), 7
  - ulh (unaligned load halfword), 7
  - ulh (unaligned load halfword unsigned), 7
  - ulw (unaligned load word), 7
- .loc, 116

**M**

- .mask, 117
- move instructions
  - floating point, 81

**N**

- noalias, 117
- non-leaf routines, 95
- nop, 107, 108, 110, 111, 117, 118, 121, 122
- null statements, 20

**O**

- .option, 118
- overflow exception, 88

**P**

- performance, 27
  - maximizing, 27
- precedence in expressions, 21
- program design
  - linkage, 94
- pseudo op-codes, 107

**R**

- .rdata, 118
- Register, 1
- register, 1
  - endianness, 1
  - format, 1
- registers
  - floating point, 5
  - general, 1
  - special, 4
- relational operations
  - floating point, 74
- .repeat, 118

**S**

- scalar constants, 15
- .sdata, 118
- See, 59, 60
- .set, 119, 120
- shape of data, 101
- shown, 8

---

- .space, 121
- special instructions, 27, 59
- special registers, 4
- stack frame, 94
- stack organization- figure, 96
- statements
  - keyword, 20
  - label definitions, 20
  - null, 20
- store instructions
  - description, 35
  - description - table, 36
  - format, 29
  - sb (store byte), 8
  - sh (store halfword), 8
  - sw (store word), 8
  - swl (store word left), 7
  - swr (store word right), 7
  - ush (unaligned store halfword), 7
  - usw (unaligned store word), 7
- string constants, 17
- .struct, 121
- system control
  - instruction descriptions, 83
  - instruction formats, 82

## T

- .text, 121
- tokens
  - comments, 14
  - constants, 15
  - identifiers, 14
- type propagation in expression, 25

## U

- unaligned data
  - load and store instructions, 7
- underflow exception, 89
- unimplemented operation exception, 90

## V

- value, 19
- .verstamp, 121
- .vreg, 121

## W

- .word, 122